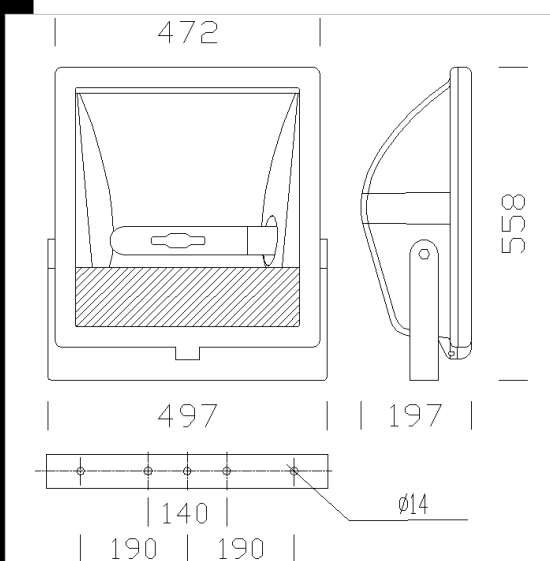


### 1129 Cromo - asymmetric

Housing/frame: In die-cast aluminium with cooling fins.  
 Reflector: Asymmetric, in anodized polished and hammered 99.85 aluminium, 2µ thick.  
 Diffuser: Tempered glass, 5 mm thick, thermal shock and impact resistant (UNI 7142 tests - British Standard 3193).  
 Painting: With polyester powder, black, upon chromate treatment, resistant to corrosive and saline environments.  
 Lampholder: In ceramics, with silver-plated contacts.  
 Electric gear: 230V/50Hz supply with thermal protection. Silicone wire terminated with admiralty brass clamps; fibreglass braid insulation - cross-section: 1 sqmm (up to 400W) or 2.5 sqmm (400 to 1000W). 2P+T terminal block (maximum allowed lead cross-section: 4 sqmm).  
 Equipment: Gasket in silicone rubber. Cable gland in f.g. nylon, Ø 1/2 gas thread. Retained steel screws with special anticorrosion and anti-gripping treatment. Bracket in steel with protractor scale. The hinge-opening front frame stays hooked to the fixture housing.  
 Regulations: Produced according to applicable EN60598-1 CEI 34 - 21 standards, IP65IK08 degree of protection according to EN 60529 standards. They have obtained the ENEC European certification of conformity.  
 Wind surface: 2400 sqcm.  
 Double insulation version, sub-code -14

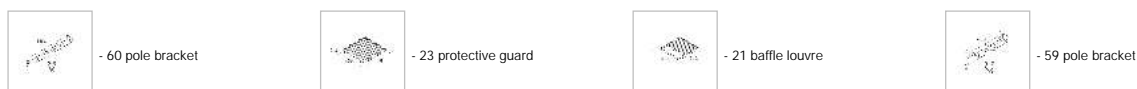
**Download**

DXF 2D  
- 1129.dxf  
Montaggi  
- 1129\_cromo\_600\_1000w.pdf



Code	Gear	Kg	Lumen-K-CRI	WTot	Base	Colour
412949-14	CNR-L	14.55	CDM-T MW 230-21900lm-4200K-CRI 88	248 W	E40	GRAPHITE
412950-79	CNR-L	16.45	CDM-T MW 360 + ALO-35270lm-4200K-CRI 88	387 W	E40	GRAPHITE
412950-00	CNR-L	16.45	CDM-T MW 360-35270lm-4200K-CRI 88	387 W	E40	GRAPHITE
412950-14	CNR-L	15.35	CDM-T MW 360-35270lm-4200K-CRI 88	386 W	E40	GRAPHITE
412949-79	CNR-L	15.27	CDM-T MW 230 + ALO-21900lm-4200K-CRI 88	248 W	E40	GRAPHITE
412947-14	CNR-L	15.45	SAP-T 250-33000lm-2000 K-Ra 4	275 W	E40	GRAPHITE
412948-00	CNR-L	17.50	SAP-T 400-56000lm-2000K-Ra 4	433 W	E40	GRAPHITE
412948-14	CNR-L	16.85	SAP-T 400-56000lm-2000K-Ra 4	434 W	E40	GRAPHITE
412947-00	CNR-L	16.10	SAP-T 250-33000lm-2000 K-Ra 4	277 W	E40	GRAPHITE
412947-79	CNR-L	16.10	SAP-T 250 + ALO-33000lm-2000K-Ra 4	275 W	E40	GRAPHITE
412948-79	CNR-L	17.50	SAP-T 400 + ALO-56000lm-2000K-Ra 4	430 W	E40	GRAPHITE
412949-00	CNR-L	15.27	JM-T 250-20500lm-4500k-Ra 2b	248 W	E40	GRAPHITE

**Accessories**



The reported luminous flux is the flux emitted by the light source with a tolerance of ± 10% compared to the indicated value. The W tot column indicates the total wattage absorbed by the system without exceeding 10% of the indicated