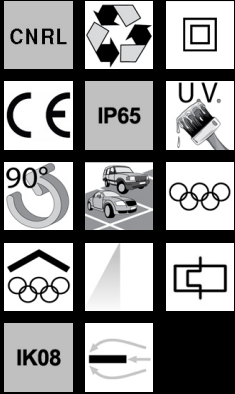


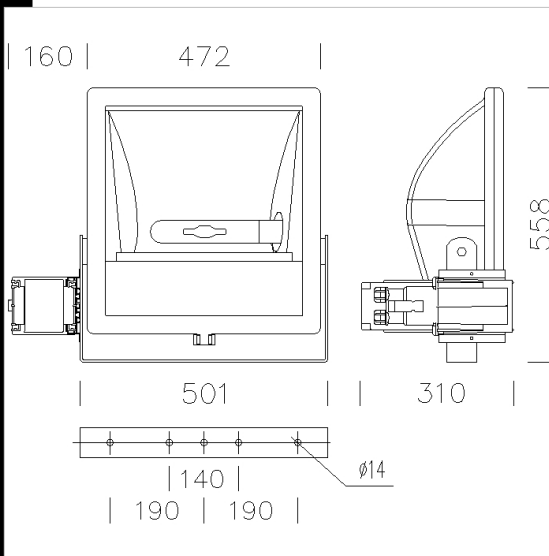
1129 Cromo



Housing/frame: In die-cast aluminium with cooling fins.
 Reflector: Asymmetric, in anodized polished and hammered 99.85 aluminium, 2µ thick.
 Diffuser: Tempered glass, 5 mm thick, thermal shock and impact resistant (UNI 7142 tests - British Standard 3193).
 Painting: With polyester powder, black, upon chromate treatment, resistant to corrosive and saline environments.
 Lampholder: In ceramics, with silver-plated contacts. Socket E40.
 Electric gear: 230V/50Hz supply with thermal protection. Silicone wire terminated with admiralty brass clamps; fibreglass braid insulation - cross-section: 1 sqmm (up to 400W) or 2.5 sqmm (400 to 1000W). 2P terminal block (maximum allowed lead cross-section: 4 sqmm).
 Equipment: Gasket in silicone rubber. Cable gland in f.g. nylon, Ø 1/2 gas thread. Retained steel screws with special anticorrosion and anti-gripping treatment. Bracket in steel with protractor scale. The hinge-opening front frame stays hooked to the fixture housing.
 Regulations: Produced according to applicable EN60598-1 CEI 34 - 21 standards, IP65IK08 degree of protection according to EN 60529 standards.
 Wind surface: 2600 sqcm.

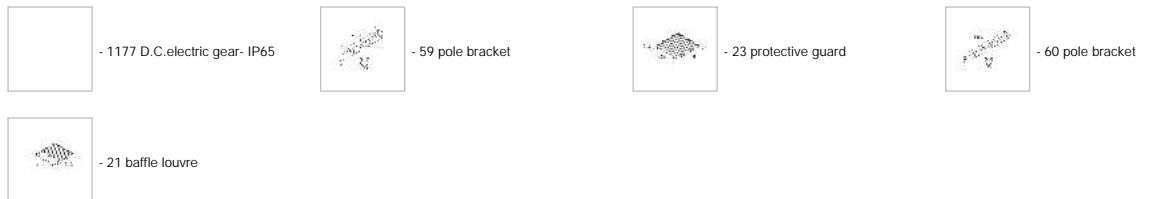


Download
 DXF 2D
 - 1129doppio.dxf
 Montaggi
 - 1129_cromo_d_i_600_1000w.pdf



Code	Gear	Kg	Lumen-K-CRI	WTot	Base	Colour
412925-01	CNR-L	21.33	JM-T 1000-90000lm-4400K-Ra 1b	1070 W	E40	GRAPHITE
412925-00	CNR-L	21.63	JM-T 1000-90000lm-4400K-Ra 1b	1076 W	E40	GRAPHITE
412924-00	CNR-L	20.00	SAP-T 600-90000lm-2000K-Ra 4	641 W	E40	GRAPHITE

Accessories



The reported luminous flux is the flux emitted by the light source with a tolerance of ± 10% compared to the indicated value. The W tot column indicates the total wattage absorbed by the system without exceeding 10% of the indicated