

2178 Forum - UGR<22/25



Forum, in the new suspension version, features all the characteristics of excellence typical of this product, with optics to allow the product to be mounted indoors as a suspended luminaire with amazing anti-glare benefits (UGR<22).

Forum LED in the chain-suspended and bracket-mounted versions is a spotlight that stands out also for its elegant design, capable of increasing the aesthetic quality of the interior lighting system.

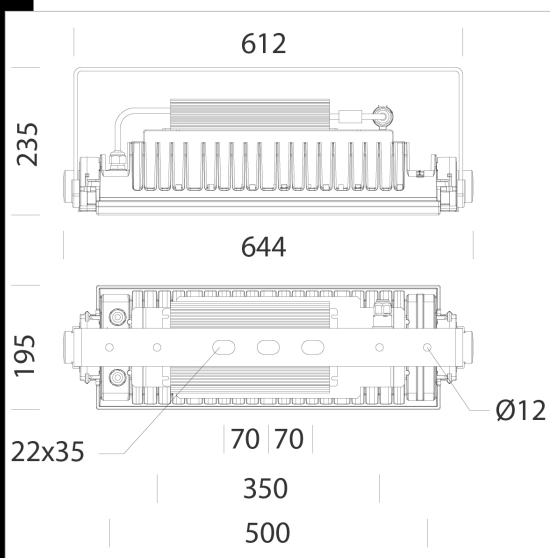
The excellent quality of light, with a high colour rendering and very low flicker allows obtaining the ideal light for televised sport events in high definition and a top quality level also for industrial plants and parking areas with surveillance cameras.

Housing/Frame: in die-cast aluminium with cooling fins. Optics : in high-performance metallic V0 polycarbonate with micro-faceted finish. Diffuser: extra-clear, tempered glass, 4 mm thick, resistant to thermal shock and impacts. Coating: the standard powder coating consists of a first metal surface pre-treatment stage and of single layer of UV-stabilised, corrosion and salt resistant polyester powder coating. Standard Supply: complete with suspension bracket. Version equipped with IP66 airtight connector for mains connection. With dedicated electronic device to protect the LED module.

Electronic safety device to protect the LED module and the related ballast compliant with EN 61547. It works in two modes: - differential mode: surge between power cables and between the phase and neutral. - common mode: surge between power, L/N and ground cables or between the fixture's body if it is installed on a metal pole. Coating compliant with UNI EN ISO 9227 Corrosion tests in artificial atmospheres for aggressive environments the fixture can be equipped with several light dimmers: - 1-10V (dimnable from 20% to 100%) or DALI dimmable driver - power line carrier (PLC) remote control - wireless control system

On request:  
- ideal version for spaces with a high concentration of particular volatile chemicals around the luminaires.  
- possibility for the various options for managing the supply point. Presence sensor or light sensor to wall or ceiling.

LED: Power factor: 0,92. Luminous flux maintenance 80% - 100.000h - (L80B10) - 700mA version 80% - 80.000h - (L80B10) - 1050mA version 80% - 50.000h - (L80B10) - 1200mA version 700mA Ta = -20°C ÷ +50°C 1050mA Ta = -20°C ÷ +45°C 1200mA Ta = -20°C ÷ +40°C (request in head office for higher Ta...) Registered Design DM/100271



Code	Gear	Kg	Lumen Output-K-CRI	WTot	Colour	Surge
412900-00	CLD	12,32	LED@700mA-21852lm-4000K-CRI 80-URG<22	205 W	GRAPHITE	10/10kV
412901-00	CLD	13,22	LED@1050mA-30196lm-4000K-CRI 80-URG<25	305 W	GRAPHITE	4/6kV
412902-00	CLD	14,65	LED@1200mA-33536lm-4000K-CRI 80-URG<25	350 W	GRAPHITE	6/6kV



Download

- DXF 2D  
- 2178.dxf
- 3DS  
- disano\_2178\_forum.3ds
- 3DM  
- disano\_2178\_forum.3dm
- Montaggi  
- 2178-2179 01-21.pdf
- BIM  
- 2178\_Forum - UGR22-25 - 20200623.zip

The reported luminous flux is the flux emitted by the light source with a tolerance of ± 10% compared to the indicated value. The W tot column indicates the total wattage absorbed by the system without exceeding 10% of the indicated