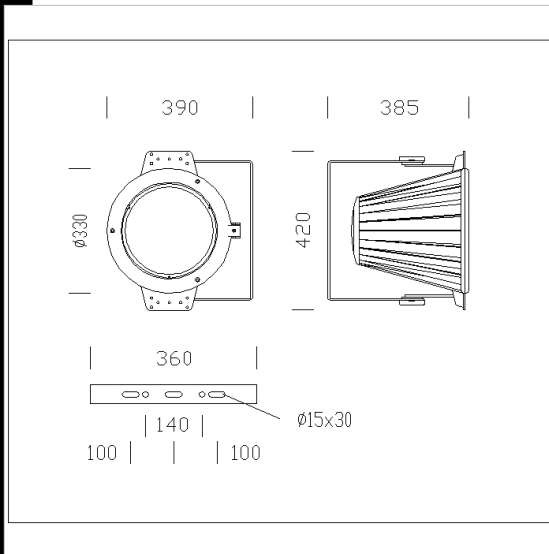


1147 Star - wide beam

Housing/frame: In diecast aluminium, with cooling fins.
 Reflector: In high gloss 99.85 anodized aluminium, 6 micron thick.
 Diffuser: Tempered protective flat glass, 5 mm thick, thermal shock and impact resistant (UNI7142 tests - British standard 3193).
 Painting: Epoxy cationic electrocoating, black, upon chromate treatment, resistant to corrosive and saline environments. Second finish coat with environment-friendly acrylic resin, sandblasted silver, UV stabilized.
 Lampholder: In ceramics, with silver-plated contacts. Socket Fc2; Rx7s.
 Electric gear: 230V/50Hz power supply. Silicone wire terminated with clamps in admiralty brass, fiber glass braid, 1 sqmm cross-section. Nylon 2P terminal block with maximum allowed lead cross-section of 2.5 sqmm.
 Equipment: Silicone rubber gasket. Cable gland in f.g. nylon Ø 1/2 gas thread. Retained steel screws with special anticorrosion antigripping treatment. Stainless steel bracket with protractor scale. The hinge-opening front frame stays hooked to the housing for easy maintenance.
 Regulations: Produced according to applicable EN60598-1 CEI 34 - 21 standards, IP65IK08 degree of protection according to EN 60529 standards. They have obtained the ENEC European certification of conformity. Insulation class II.
 Wind surface: 966 sqcm.

Download

- DXF 2D
- 1147d.dxf
- 3DS
- 1147d_star.3ds
- 3DM
- 1147d_star.3dm



Code	Gear	Kg	Lumen-K-CRI	WTot	Base	Colour
412827-00	CNR-L	10.65	SAP-TS 150-15000lm-2000K-Ra 4	166 W	Rx7s	GREY9007
412826-00	CNR-L	12.20	JM-TS 250-22000lm-3200K-Ra 1b	277 W	FC2	GREY9007
412828-00	CNR-L	10.65	JM-TS 150-12500lm-4200K-Ra 1b	166 W	Rx7s	GREY9007

Accessories



- 148 baffle louvre



- 147 conveyor

The reported luminous flux is the flux emitted by the light source with a tolerance of ± 10% compared to the indicated value. The W tot column indicates the total wattage absorbed by the system without exceeding 10% of the indicated