

3194 Forum LED - 3 MODULES - asymmetric 60°

The range of Forum floodlights manufactured by Disano illuminazione, a global leader in the lighting of large areas such as sport facilities extends its offer with the new Forum LED.

Drawing from the company's consolidated experience and expertise in the field of discharge lamps, Forum LED stands out thanks to the use of the most sophisticated and reliable technology and latest generation LED sources.

Its design allows for different combinations of power, lumen and luminous flux. Floodlights are available with single, double or triple modules, with asymmetric narrow beam angles of 8° or 17° or with symmetric beam angles from 30° to 120°.

The remarkable efficiency of these floodlights facilitates their application in large areas such as indoor and outdoor sport centres and arenas, offering incomparable performance in any setting.

Easy and safe to install, Forum is equipped with specific devices to ensure perfect pointing and positioning.

The accurate study of the optical system and the insertion of the LED inside the floodlight guarantee high precision and performance: intrusive light and glare in the surrounding zones are minimized, ensuring the greatest visual comfort for athletes and viewers alike.

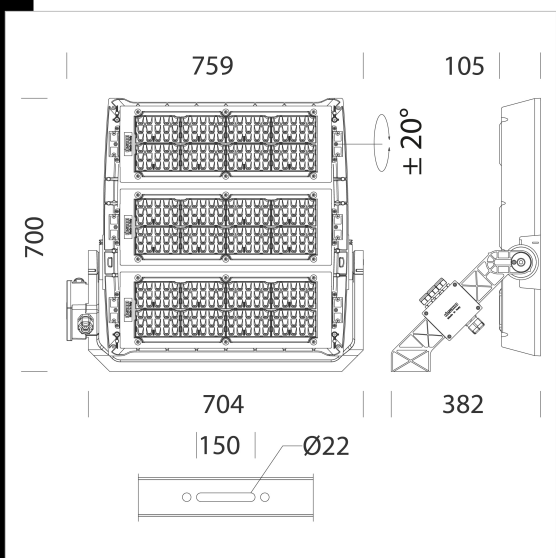
Its highly advanced LED sources, also available with colour temperatures of 5700 K and CRI of 90, are ideal for televised events in high resolution.

Housing/Frame: in die-cast aluminium with cooling fins. Structure (2/3 LED modules): in die-cast aluminium with bracket for spotlight mounting. It also allows pointing the individual module at an angle of +/- 20° to its horizontal axis. Optics: made of V0 polycarbonate, metallized high yield. Diffuser: extra-clear, tempered glass, 4 mm thick, resistant to thermal shock and impacts. Coating: the standard powder coating consists of a first metal surface pre-treatment stage and of single layer of UV-stabilised, corrosion and salt resistant polyester powder coating. Wiring: 220-240V 50/60Hz power supply; Standard Supply: complete with galvanised and coated bracket.

Electronic safety device to protect the LED module and the related ballast compliant with EN 61547. It works in two modes: - differential mode: surge between power cables and between the phase and neutral. - common mode: surge between power, L/N and ground cables or between the fixture's body if it is of class II and installed on a metal pole. Upon request: DIMM 1-10V (dimmable from 20% to 100%) or DALI. Coating compliant with UNI EN ISO 9227 Corrosion tests in artificial atmospheres for aggressive environments.

LED: Power factor: 0,92. Luminous flux maintenance 70% - 190.000h - (L70B20) - 700mA version 70% - 145.000h - (L70B20) - 1200mA version 80% - 120.000h - (L80B10) - 700mA version 80% - 90.000h - (L80B10) - 1200mA version

Registered Design DM/100271



Download

DXF 2D
- 3194-95.dxf

Montaggi

- Forum_3Mod_Type1 05-20.pdf
- Forum_3Mod_Type2-3 05-20.pdf

Code	Gear	Kg	Lumen Output-K-CRI	WTot	Colour	Surge
412822-00	CLD S+L	28.50	LED-117830lm nominal flux-700mA-4000K-CRI 70	690 W	GRAPHITE	10/10kV
412822-0034	CLD S+L	29.50	LED-98190lm nominal flux-700mA-5700K-CRI 90	690 W	GRAPHITE	10/10kV
412823-00	CLD S+L	28.50	LED-189280lm nominal flux-4000K-1200mA-CRI 70	1223 W	GRAPHITE	10/10kV
412823-0034	CLD S+L	28.50	LED-157730m nominal flux-5700K-1200mA-CRI 90	1223 W	GRAPHITE	10/10kV

Accessories



- Type 2 - Driver IP66 - DALI



- 482 Anti-dazzle shutter



- 198 driver support brackets



- Type 3 - Driver IP66

The reported luminous flux is the flux emitted by the light source with a tolerance of ± 10% compared to the indicated value. The W tot column indicates the total wattage absorbed by the system without exceeding 10% of the indicated