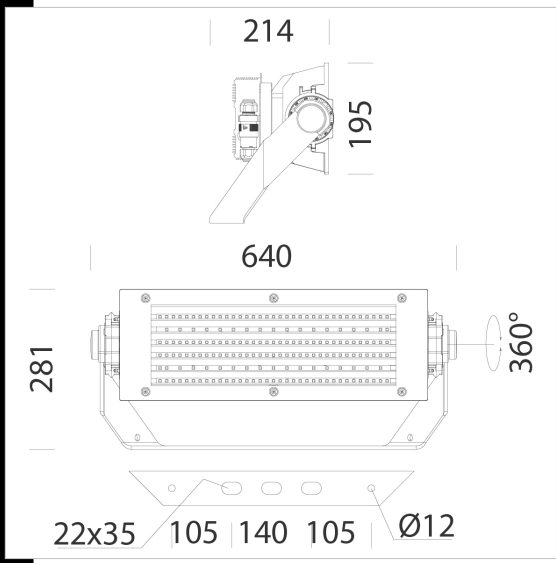


2189 Forum LED HE - 1 MODULE - asymmetric - high efficiency



Download

- DXF 2D
- 2189.dxf
- Montaggi
- Forum 1Mod.pdf
- BIM
- 2189 Forum LED HE - 1 MODULE - asymmetric - 20200519.zip

For the LED lighting of large areas, Disano's Forum spotlight is a true point of reference, guaranteeing energy savings and high performance under any circumstances.

The high-efficiency version of Forum, Forum HE, reduces of almost 70% the installed power and is capable of replacing 600 W and 1000 W sodium lamps, saving energy for up to 65%.

Forum LED is a modular spotlight (with one, two or three modules) used in a wide variety of outdoor lighting systems, from large parking lots to sports venues.

In the version with 50° asymmetric optics, Forum HE ensures a luminous efficacy of 139 lumen/watt, while in the version with 90° wide-beam optics it reaches 156 lumen/watt.

Forum HE is equipped with semi-power LED sources with a colour temperature of 4000K or 3000K upon request.

Equipped with 6/10kV surge protector, Forum HE also stands out for its particularly convenient price.

Forum HE is also visually attractive: the most cutting-edge technology combines with fine aesthetics that reflects the best of Made-in-Italy design

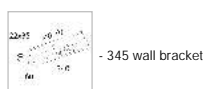
Housing/Frame: in die-cast aluminium with cooling fins. Optics: in aluminium coated with very high purity (99.99%) silver using physical vapour deposition (PVD). Diffuser: extra-clear, tempered glass, 4 mm thick, resistant to thermal shock and impacts. Coating: the standard powder coating consists of a first metal surface pre-treatment stage and of single layer of UV-stabilised, corrosion and salt resistant polyester powder coating. Wiring: 220-240V 50/60Hz power supply; with external IP66 driver applied to the fixture for the version with 1 or 2 LED modules. Standard Supply: complete with galvanised and coated bracket. Single LED module version, equipped with IP66 airtight connector for mains connection.

Electronic safety device to protect the LED module and the related ballast compliant with EN 61547. It works in two modes: - differential mode: surge between power cables and between the phase and neutral. - common mode: surge between power, L/N and ground cables or between the fixture's body if it is of class II and installed on a metal pole. Upon request: 3000K, DIMM 1-10V (dimnable from 20% to 100%) or DALI. Coating compliant with UNI EN ISO 9227 Corrosion tests in artificial atmospheres for aggressive environments.

LED: Power factor: 0,92. Luminous flux maintenance 80% - 90.000h - (L80B10) - 350mA version 90% - 50.000h - (L90B10) - 350mA version Registered Design DM/100271

Code	Gear	Kg	Lumen Output-K-CRI	WTot	Colour	Surge
412695-00	CLD	12,76	LED-58362lm-4000K-CRI 70	368 W	GRAPHITE	6/10kV

Accessori



The reported luminous flux is the flux emitted by the light source with a tolerance of ± 10% compared to the indicated value. The W tot column indicates the total wattage absorbed by the system without exceeding 10% of the indicated