

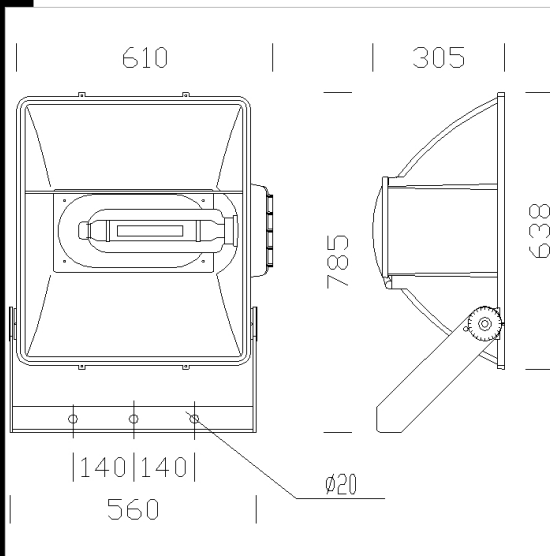


1125 Lampo - narrow-beam

Housing/Frame: ENAB 46-100 die-cast aluminium, with wide cooling fins.
 Reflector: In 99.85 anodized polished aluminium, with fin for the recovery of unused light.
 Diffuser: Tempered glass, 5 mm thick, thermal shock and impact resistant. (UNI7142 tests, 3193 British Standard).
 Painting: With polyester powder, colour graphite, resistant to corrosive and saline environments.
 Lampholder: In ceramics, with silver-plated contacts. Socket E40.
 Electric gear: Power supply for lamp. Silicone wire terminated with clamps in admiralty brass, with fiberglass braid, 2.5 sqmm cross section of 16 sqmm. 2P+T terminal block with maximum allowed lead cross section of 4 sqmm.
 Supply: Hinge opening from the back of the fixture for easy maintenance, without changing direction of beam.
 Equipment: Complete with air re-circulation valve. Silicone rubber gasket. Retained steel screws with special anti-corrosion and anti-gripping treatment. Bracket in steel with protractor scale.
 Regulations: Produced according to applicable EN60598-1 CEI 34-21 standards, IP65IK08 degree of protection according to EN60529 standards. They have obtained the ENEC European certification of conformity.
 Wind surface: L:1500cm² F:3600cm².

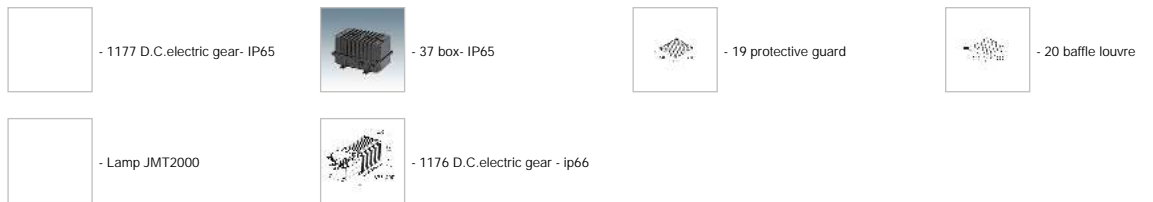
Download
DXF 2D
- 1125Imp.dxf

Montaggi
- int_st.dxf
- cablag_.dxf
- sc_gon.dxf
- c_gama.dxf
- al_inst.dxf
- press_.dxf
- assieme.dxf
- pos_funz.dxf
- ap_lamp.dxf
- acc_.dxf
- lam_acc.dxf
- lampo.pdf



Code	Gear	Kg	Lumen-K-CRI	WTot	Base	Colour
412644-00	S	20.42	JM-T 2000-180000lm-7250k-Ra 1a	2000 W	E40	GRAFITE

Accessories



The reported luminous flux is the flux emitted by the light source with a tolerance of ± 10% compared to the indicated value. The W tot column indicates the total wattage absorbed by the system without exceeding 10% of the indicated