



1186 Forum - XL High Performance

Housing/frame: In die-cast aluminium, with cooling fins.
 Reflector: In 99.98 aluminium, anodized and polished, with fin for recovery of unused light.
 Diffuser: Tempered glass, 5 mm thick, resistant to thermal shocks and impacts. (UNI7142 tests, 3193 British standard).
 Painting: With polyester powder, colour graphite, resistant to corrosive and saline environments.
 Lampholder: In ceramics with silver-plated contacts. Cable socket.
 Electric gear: 400V/50Hz power supply. Silicone wire terminated with clamps in admiralty brass, with fiberglass braid, 2.5 sqmm cross section. Nylon 2P+T terminal block with maximum allowed lead cross section of 6 sqmm.
 Equipment: Cable gland in f.g. nylon Ø 1/2 gas thread. Protective device: when the back cover is opened (hinge opening), the normally closed contact opens and cuts off supply to the fixture. Aiming visor. Anticondensation filter. Standard igniter placed in a special box.
 Regulations: Produced according to applicable EN60598-1 CEI 34-21 standards, IP66IK08 degree of protection according to EN 60529 standards. They have obtained the ENEC European Certificate of Conformity.
 Additional gear: Hot restrike
 Wind surface: L:1400cm² F:2000cm².
 Hot restart with -99 subcode.

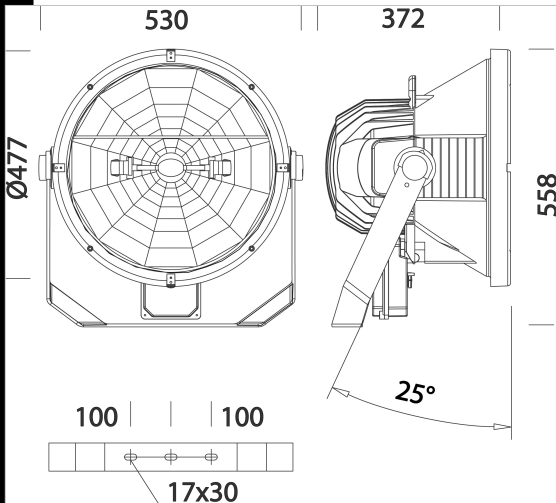
Download

DXF 2D

- 1186flti.dxf

Montaggi

- 1156-1186.pdf



Code	Gear	Kg	Lumen-K-CRI	WTot	Base	Colour
412591-00	S	14,68	JM-TS 2000 HO-SB---	2100 W	by wire	GRAPHITE

Accessori



- 111 Protective guard



- 112 conveyor



- 113 baffle louvre



- 163 steel pole unit



- 1176 D.C. electric gear - ip66

The reported luminous flux is the flux emitted by the light source with a tolerance of ± 10% compared to the indicated value. The W tot column indicates the total wattage absorbed by the system without exceeding 10% of the indicated