

Download

DXF 2D
- 1195xs.dxf

Montaggi
- 1195.pdf

1195 Forum - FS Hot Restrike



Housing/frame: In die-cast aluminium, with cooling fins.
Reflector: In 99.98 aluminium, anodized and polished, with fin for recovery of unused light.

Diffuser: Tempered glass, 5 mm thick, resistant to thermal shocks and impacts. (UNI7142 tests, 3193 British standard).

Painting: With polyester powder, colour graphite, resistant to corrosive and saline environments.

Lampholder: In ceramics with silver-plated contacts. Cable socket.

Electric gear: 230V/50Hz (1000W) 400V/50Hz (2000W) power supply. Silicone wire terminated with clamps in admiralty brass, with fiberglass braid, 2.5 sqmm cross section. Nylon 2P+T terminal block with maximum allowed lead cross section of 6 sqmm.

Equipment: Cable gland in f.g. nylon Ø 1/2 gas thread. Protective device: when the back cover is opened (hinge opening), the normally closed contact opens and cuts off supply to the fixture. Aiming visor. Anticondensation filter. Standard igniter placed in a special box.

Regulations: Produced according to applicable EN60598-1 CEI 34-21 standards, IP66IK08 degree of protection according to EN 60529 standards. They have obtained the ENEC European Certificate of Conformity.

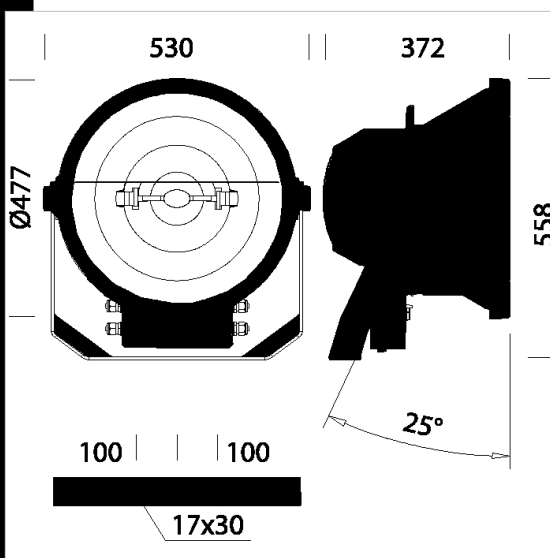
Wind surface: L:1400cm² F:2000cm².

Hot restrike:

Electronic restrike with microprocessor-controlled smart starter.

Automatic detection of connected lamp with relative start-up load regulation.

Symmetric starter with automatic disconnection in case of failure or end of lamp life to preserve luminaire components



Code	Gear	Kg	Lumen-K-CRI	WTot	Base	Colour
412570-99	CNR	36,14	MAX-TS 1000 SA---	1060 W	by wire	GRAPHITE
412583-99	CNR	35,32	JM-TS 2000 HO-SB---	2085 W	by wire	GRAPHITE
412573-99	CNR	33,94	MAX-TS 2000 SA---	2085 W	by wire	GRAPHITE

Accessori



- 112 conveyor



- 163 steel pole unit



- 111 Protective guard



- 113 baffle louvre

The reported luminous flux is the flux emitted by the light source with a tolerance of ± 10% compared to the indicated value. The W tot column indicates the total wattage absorbed by the system without exceeding 10% of the indicated