



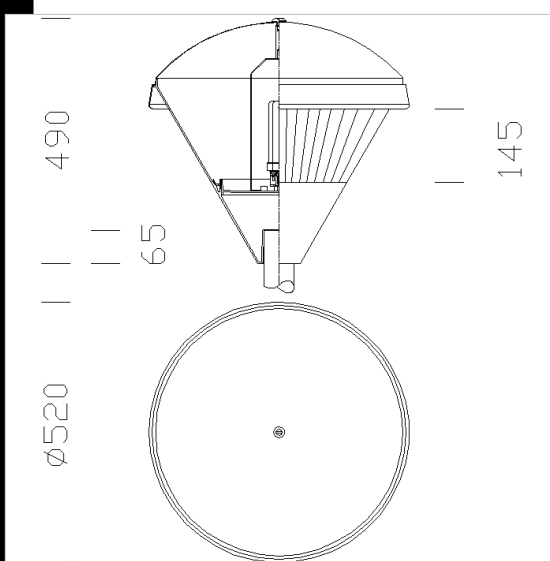
**Download**

- DXF 2D  
- 1502.dxf
- 3DS  
- disano\_1502\_polar.3ds
- 3DM  
- disano\_1502\_polar.3dm
- Montaggi  
- polar\_clima.pdf



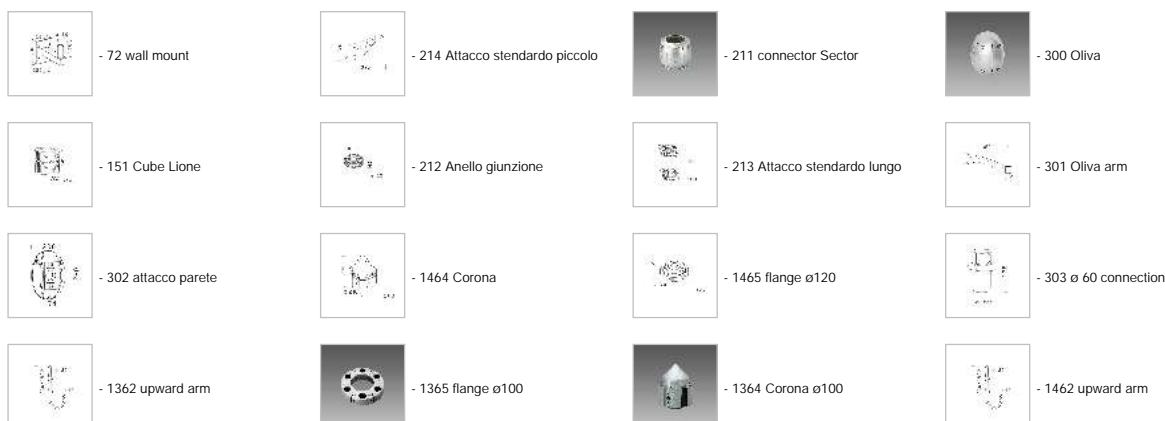
**1502 Polar**

Housing: In die-cast aluminium.  
 Cover: In aluminium sheet.  
 Diffuser: In vandal resistant and V2 self-extinguishing polycarbonate, UV-stabilized. Finished internally with longitudinal faceting and micro-matt surface to better control dazzle and provide higher light diffusion. The smooth outside finish facilitates cleaning to always achieve the highest efficiency.  
 Painting: the standard liquid immersion coating consists of a first metal surface pre-treatment stage, a successive epoxy cataphoresis corrosion and salt resistant coating, and a final layer of bi-component acrylic liquid UV-stabilised coating.  
 Lampholder: In polycarbonate, with phosphor bronze contacts (FLC). In ceramics, with silver-plated contacts.  
 Electric gear: 230-240V/50Hz power supply. Silicone wire terminated with clamps in admiralty brass, 1.0 sqmm cross section. 2P terminal block with maximum allowed lead cross section of 2.5 sqmm.  
 Equipment: 6.3 A protective fuse. Cable gland in fiberglass nylon Ø 1/2 gas thread.  
 Regulations: Produced according to applicable EN60598-1 CEI 34-21 standards, IP65IK08 degree of protection according to EN 60529 standards. It has been granted the ENEC European Certificate of Conformity. Isulation class II.  
 Non-polluting louvre, ideal for installation in zone 3 (UNI10819).  
 Wind surface: 1506 sqcm.  
 SAP-E70 use lamp with built-in igniter



Code	Gear	Kg	Lumen-K-CRI	WTot	Base	Colour
412128-00	S	0,00	MAX 60---	160 W	E27	GRAPHITE

**Accessori**



The reported luminous flux is the flux emitted by the light source with a tolerance of ± 10% compared to the indicated value. The W tot column indicates the total wattage absorbed by the system without exceeding 10% of the indicated