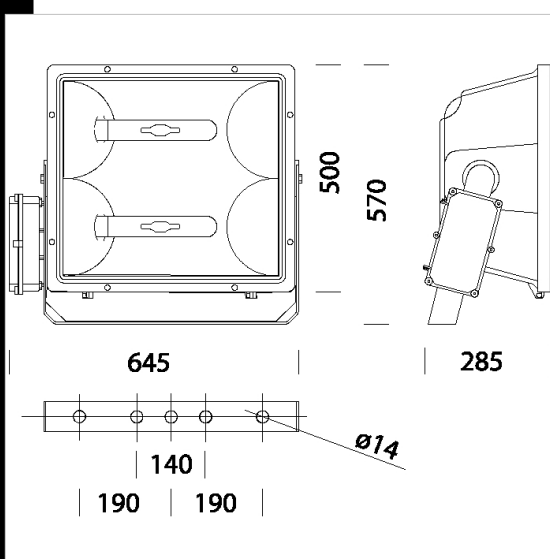


1168 Titanio - symmetric

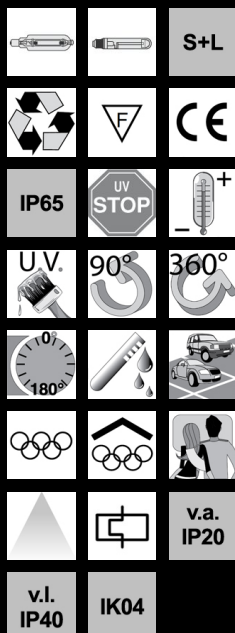


Housing/frame: In die-cast aluminium with cooling fins.
 Reflector: Symmetric in anodized, polished, hammered 99.85 aluminium, 3 micron thick.
 Diffuser: Tempered glass, 5 mm thick, thermal shock and impact resistant (UNI 7142 tests, British standard 3193).
 Painting: With epoxy-polyester powder, colour graphite, resistant to corrosive and saline environments.
 Lampholder: In ceramics, with silver-plated contacts. Socket E40.
 Electric gear: 230V/50Hz. Silicone wire terminated with admiralty brass clamps; fibreglass braid insulation - cross-section: 1 sqmm (up to 400W) or 2.5 sqmm (400 to 1000W).
 Standard supply: The hinge-opening front frame stays hooked to the housing for easy maintenance, without changing direction of beam.
 Equipment: Gasket in silicone rubber material. Cable gland in f.g. nylon, Ø 1/2 gas thread. Retained steel screws with special anti-corrosion and anti-gripping treatment. Bracket in steel with protractor scale. Waterproof aluminium gear box, thermally isolated from the housing.
 Regulations: Produced according to applicable EN60598-1 CEI 34 - 21 standards, IP65IK08 degree of protection according to EN 60529 standards. They have obtained the ENEC European certification of conformity. These products can be installed on normally inflammable surfaces.
 Wind surface: 3190 sqcm.



Code	Gear	Kg	Lumen-K-CRI	WTot	Base	Colour
412058-00	S+L	14.80	CDM-T MW 2x360-35270lm-4200K-CRI 88	845 W	E40	GRAFITE
412254-00	S+L	15.48	JM-T 1000-90000lm-4400K-Ra 1b	1006 W	E40	GRAFITE
412250-00	S+L	14.80	JM-T/SAP-T 2x400---	817 W	E40	GRAFITE
412057-00	S+L	24.00	SAP-T 2x400-56000lm-2000K-Ra 4	789 W	E40	GRAFITE
412252-00	S+L	15.28	SAP-T 1000-130000lm-2000K-Ra 4	1006 W	E40	GRAFITE

Accessories



Download

- DXF 2D
- 1168.dxf
- 3DS
- 1169_titanio.3ds
- 3DM
- 1169_titanio.3dm
- Montaggi
- titanio_2010_2.pdf
- c_corn.dxf
- titanio_2010_1.pdf
- titanio_f_caldo.pdf

The reported luminous flux is the flux emitted by the light source with a tolerance of ± 10% compared to the indicated value. The W tot column indicates the total wattage absorbed by the system without exceeding 10% of the indicated