

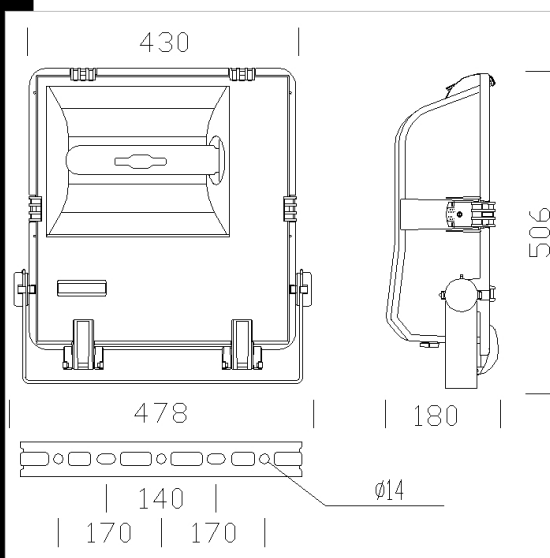
Download

- DXF 2D
- 1722_iridio_simm.dxf
- 3DS
- 1721_iridio_2002.3ds
- 3DM
- 1721_iridio_2002.3dm
- Montaggi
- iridio_1721-22.pdf
- valvola_anticondiridio.dxf



1722 Iridio symmetric

Housing/frame: Fibreglass reinforced plastic material.
 Hooks: Fibreglass nylon.
 Reflector: Symmetric made of anodised, anodised and polished hammered aluminium 99.85.
 Diffuser: Tempered glass, 5 mm thick, resistant to impact and thermal shock
 Lampholder: Ceramic with silver-plated contacts
 Electric gear: 230V-50Hz power supply with heat protection. Wire terminated with admiralty brass clamps, silicone insulation with fibreglass braid; cross section: 1 sqmm. 2P terminal block (maximum allowed lead cross section 4 sqmm.)
 Equipment: Silicone rubber gasket. Fibreglass nylon cable gland, Ø ½ " gas. Retained steel screws with special anticorrosion and anti-gripping treatment. Black painted steel bracket with protractor scale. The hinged front frame can be opened without tools, and stays attached to the housing for easy maintenance. Equipped with an air-circulation valve. Knife switch included in standard supply.
 Regulations: Manufactured in compliance with EN60598 - CEI 34 - 21 standards. The level of protection complies with the EN60529 standard.
 Wind surface: 2200 cm².



Code	Gear	Kg	Lumen-K-CRI	WTot	Base	Colour
411931-00	CNR-L	10.00	SAP-T 250-33000lm-2000 K-Ra 4	277 W	E40	BLACK
411933-01	CNR-L	9.10	CDM-T MW 230-21900lm-4200K-CRI 88	265 W	E40	BLACK
411934-01	CNR-L	10.03	CDM-T MW 360-35270lm-4200K-CRI 88	419 W	E40	BLACK
411944-00	CNR-L	10.03	CDM-T MW 360-35270lm-4200K-CRI 88	387 W	E40	MET. SILVER
411943-00	CNR-L	9.27	CDM-T MW 230-21900lm-4200K-CRI 88	248 W	E40	MET. SILVER
411934-00	CNR-L	10.03	CDM-T MW 360-35270lm-4200K-CRI 88	387 W	E40	BLACK
411933-00	CNR-L	9.27	CDM-T MW 230-21900lm-4200K-CRI 88	248 W	E40	BLACK
411942-00	CNR-L	11.67	SAP-T 400-56000lm-2000K-Ra 4	435 W	E40	MET. SILVER
411932-00	CNR-L	11.67	SAP-T 400-56000lm-2000K-Ra 4	435 W	E40	BLACK
411941-00	CNR-L	10.00	SAP-T 250-33000lm-2000 K-Ra 4	277 W	E40	MET. SILVER
411932-01	CNR-L	11.50	SAP-T 400-56000lm-2000K-Ra 4	435 W	E40	BLACK
411931-01	CNR-L	10.00	SAP-T 250-33000lm-2000 K-Ra 4	277 W	E40	BLACK
411942-01	CNR-L	11.50	SAP-T 400-56000lm-2000K-Ra 4	435 W	E40	MET. SILVER

Accessories



- 177 protective guard



- 178 baffle louvre

The reported luminous flux is the flux emitted by the light source with a tolerance of ± 10% compared to the indicated value. The W tot column indicates the total wattage absorbed by the system without exceeding 10% of the indicated