



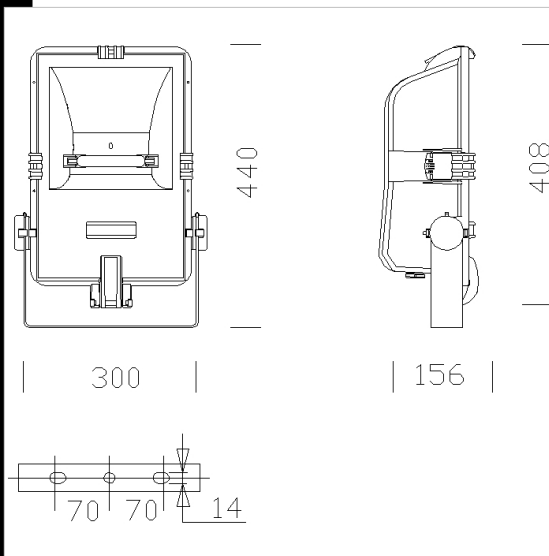
Download

DXF 2D
- 1719_iridio.dxf
Montaggi
- valvola_anticondiridio.dxf
- iridio 1719-20.pdf

1719 Iridio asymmetric



Housing/frame: Fibreglass reinforced plastic material.
Hooks: Fibreglass nylon.
Reflector: Asymmetric, made of anodised, anodised and polished hammered aluminium 99.85.
Diffuser: Tempered glass, 5 mm thick, resistant to impact and thermal shock
Lampholder: Ceramic with silver-plated contacts
Electric gear: 230V-50Hz power supply with heat protection. Wire terminated with admiralty brass clamps, silicone insulation with fibreglass braid; cross section: 1 sqmm. 2P terminal block (maximum allowed lead cross section 2,5 sqmm.)
Equipment: Silicone rubber gasket. Fibreglass nylon cable gland, Ø ½ " gas. Retained steel screws with special anticorrosion and anti-gripping treatment. Black painted steel bracket with protractor scale. The hinged front frame can be opened without tools, and stays attached to the housing for easy maintenance. Equipped with an air-circulation valve. Knife switch included in standard supply.
Regulations: Manufactured in compliance with EN60598 - CEI 34 - 21 standards. The level of protection complies with the EN60529 standard.
Wind surface: 1200 cm².



Code	Gear	Kg	Lumen-K-CRI	WTot	Base	Colour
411632-01	CNR-L	5.80	JM-TS 150-12500lm-4200K-Ra 1b	169 W	Rx7s	BLACK
411633-00	CNR-L	5.80	SAP-TS 150-15000lm-2000K-Ra 4	157 W	Rx7s	BLACK
411630-01	CNR-L	5.10	JM-TS 70-6500lm-4200K-Ra 1b	91 W	Rx7s	BLACK
411631-00	CNR-L	5.10	SAP-TS 70-6800lm-2000K-Ra 4	82 W	Rx7s	BLACK
411643-00	CNR-L	5.80	SAP-TS 150-15000lm-2000K-Ra 4	157 W	Rx7s	MET. SILVER
411641-00	CNR-L	5.10	SAP-TS 70-6800lm-2000K-Ra 4	82 W	Rx7s	MET. SILVER
411630-00	CNR-L	5.10	JM-TS 70-6500lm-4200K-Ra 1b	91 W	Rx7s	BLACK
411642-00	CNR-L	5.80	JM-TS 150-12500lm-4200K-Ra 1b	157 W	Rx7s	MET. SILVER
411640-00	CNR-L	5.10	JM-TS 70-6500lm-4200K-Ra 1b	91 W	Rx7s	MET. SILVER
411632-00	CNR-L	5.80	JM-TS 150-12500lm-4200K-Ra 1b	157 W	Rx7s	BLACK

Accessories



- 175 protective guard



- 176 baffle louvre

The reported luminous flux is the flux emitted by the light source with a tolerance of ± 10% compared to the indicated value. The W tot column indicates the total wattage absorbed by the system without exceeding 10% of the indicated