



3384 Como 2 - asymmetric

Housing and arms: pressed in die-cast aluminium and designed with a very small surface exposed to wind.

Optics: optics made of PMMA with high temperature resistance and UV rays.

Pole connection: pressed in die-cast aluminium. Suited for poles with a diameter 60-76mm.

Diffuser: extra-clear tempered glass, 4 mm thick, resistant to thermal shocks and impacts (UNI-EN 12150-1: 2001).

Coating: the standard liquid immersion coating consists of a first metal surface pre-treatment stage, a successive epoxy cataphoresis corrosion and salt resistant coating, and a final layer of bi-component acrylic liquid UV-stabilised coating.

Equipment: nylon wiring plate 30% fibre glass complete with connector for mains connection and for LED module. Automatic temperature control inside the device with automatic resetting. With dedicated electronic device to protect the LED module. Equipped with an air-circulation valve.

Energy-saving: the possibility to choose the correct drive current for LEDs will allow you to have the right power under specific design conditions, and also help you deal with maintenance and retrofitting problems. Using a lower current will improve the efficiency of fixtures and therefore increase energy savings, whilst a higher current will result in a higher light flux so that you can reduce the number of fixtures.

Regulations: produced according to applicable EN60598-1 CEI 34-21 standards, degree of protection according to EN 60529 standards.

LED: Power factor ≥ 0.9 .

Luminous flux maintenance 80%: 80.000h (L80B20)

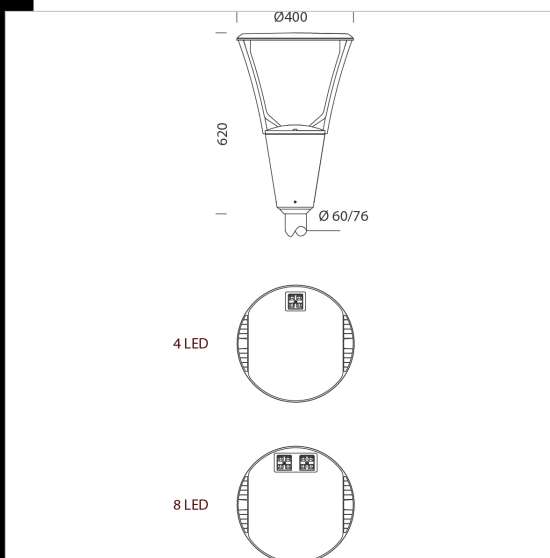
Surface exposed to wind: 769 cm².

BASIC PROG (BASIC CLD) AVAILABLE FUNCTIONS

Luminous flux setup: This can be done by programming the drive current values requested when ordering/purchasing the fixture.

Upon request:

- Coating compliant with UNI EN ISO 9227 Corrosion tests in artificial atmospheres for aggressive environments.
- with power supply 1-10 V dimmable with subcode 12.
- with virtual midnight subcode 30.
- power line carrier remote control systems subcode 0078.
- Nema Socket, subcode 40 (sealing cap to be ordered separately)
- Zhaga Socket, subcode 0054 (complete with sealing cap)



Download

DXF 2D

- 3384b.dxf

Montaggi

- garda-iseo-como 06-20.pdf
- bi-power config.pdf

BIM

- 3384 Como 2 - asymmetric - 20200604.zip

Code	Gear	Kg	Lumen Output-K-CRI	WTot	Colour
340560-00	CLD	5,47	LED-1034lm-4000K-CRI 70	9 W	ANTHRACITE
340560-39	CLD	5,16	LED-961lm-3000K-CRI 70	9 W	ANTHRACITE
340561-00	CLD	5,11	LED-3068lm-4000K-CRI 70	26 W	ANTHRACITE
340561-39	CLD	5,16	LED-2853lm-3000K-CRI 70	26 W	ANTHRACITE

Pali



- 1508 fluted pole ø120 with



- 1509 fluted pole ø120



- 1408 fluted ø100 pole with



- 1481 tapered steel lighting pole



- 1480 tapered steel lighting pole with base



- 1409 fluted pole ø100



- 1477 Urban mast with base



- 1478 Urban to be sunk into the ground



- 1494 pole with base



- 1492 poles to be sunk into the ground

The reported luminous flux is the flux emitted by the light source with a tolerance of $\pm 10\%$ compared to the indicated value. The W tot column indicates the total wattage absorbed by the system without exceeding 10% of the indicated