

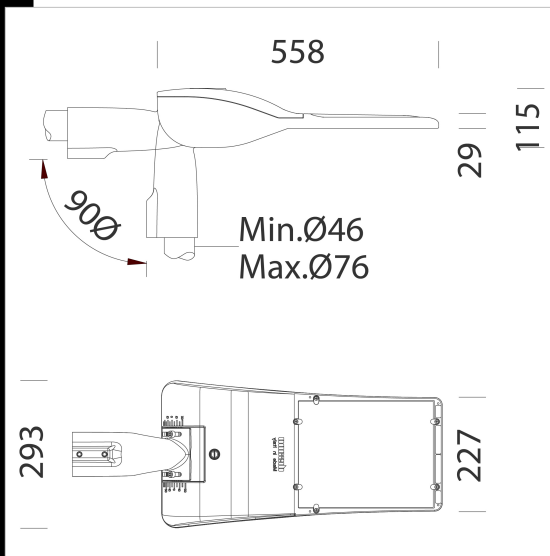
### 3486 Mini Giovi left (L) - for pedestrian crossing

Mini Giovi represents the latest generation of LED street lamps designed to fit the new light sources and the most advanced lighting control and management systems. Its aerodynamic housing in die-cast aluminium offers very little resistance to wind with its cooling fins specifically studied to allow optimal heat dissipation and efficient LED operation. Heat sink: the heat dissipation system is specially designed and made to allow the operation of the LED lights with temperatures ensuring excellent performance/efficiency and durability. Photometric performance: designed with an optical system capable of controlling the potential glare created by the growing light intensity of LEDs while achieving high photometric performance. Optical system: the modularity of the optical system, the solutions used for the electronic circuit design and the optimal control of operating temperatures, make the Giovi line a highly professional, flexible and reliable product, capable of guaranteeing huge application advantages in several situations. Housing and cover: in die-cast aluminium, EN-AB 47100 alloy and designed with a very small surface exposed to wind. Cooling fins integrated in the cover. Once removed, the cover allows accessing the electric gear compartment and power terminal board. Pole connection: in die-cast aluminium suited for poles with a diameter of min. 46 mm to max. 76 mm, adjustable from -20° to +10° for side-mount applications; and from 0° to +20° for top-mount applications. Tilt angle of 5°. Optics: in PMMA, highly resistant to temperature and UV radiation. Diffuser: extra-clear, tempered glass, 4 mm thick, resistant to thermal shock and impacts (UNI-EN12150-1: 2001). Coating: the standard powder coating consists of a first metal surface pre-treatment stage and of single layer of UV-stabilised, corrosion and salt resistant polyester powder coating. Standard supply: complete with insulation connector for quick installation. Electronic safety device to protect the LED module and the related ballast compliant with EN 61547. Upon request: constant light output (CLO) option; suited to work in the emergency mode.

LED: Power factor 0.9.  
Luminous flux maintenance 90%: 100.000h (L90B10).  
Regulations: Produced according to applicable EN60598-1 CEI 34-21 standards, degree of protection according to EN 60529 standards.

Upon request:  
- Coating compliant with UNI EN ISO 9227 Corrosion tests in artificial atmospheres for aggressive environments.  
- Nema Socket, subcode 40 (sealing cap to be ordered separately)  
- Zhaga Socket, subcode 0054 (complete with sealing cap)  
Advanced Prog (PROG CLD wiring): luminaires made to meet specific technological needs and designed, as standard, to integrate special functions to ensure high energy-savings, customization options and versatility of use in many applications (e.g. installation with dimmers or emergency supply). These functions are already available on standard products and must be enabled on request. These products do not require any modification to the entire system because the lamp only needs to be connected to mains power supply (no pilot cable and/or control bus required).

operating mode  
Luminous flux setup: This can be done by programming the drive current values requested when ordering/purchasing the fixture.  
Virtual Midnight, order with subcode -30: Stand-alone system with automatic luminous flux reduction in 4 steps (up to max 8 steps available upon request).  
Broadcast Prog: This allows the reconfiguration of the Virtual Midnight profile, including the enabling/disabling of all the fixtures installed on the same power line (broadcast function) via a sequence of electrical impulses.  
Mains voltage regulation: This allows varying the luminous flux by adjusting the mains voltage between 170 and 250 V AC.  
CLO (Constant Light Output): The lighting fixture maintains a constant light output throughout its entire service life.  
DC power in EM: In centralized emergency systems, the LED Driver automatically detects when the power changes from AC to DC and adjusts the lights to a pre-set value (DC level).  
Monitoring (default): The driver is equipped with a micro-processor that records the operating conditions from the moment it is turned on.  
Setup via APP: The NFC technology allows users to set the different operating modes via an APP.



**Download**  
DXF 2D  
- minigiovi.dxf  
Montaggi  
- bi-power config.pdf  
- giovi - minigiovi 05-20.pdf  
BIM  
- 3486 Mini Giovi left (L) - for pedestrian crossing - 20200616.zip

Code	Gear	Kg	Lumen Output-K-CRI	WTot	Colour	Surge
331080-00	CLD	5.88	LED-4256lm-4000K-700mA-CRI 70	33 W	GRAPHITE	6/10kV
331081-00	CLD	5.95	LED-8512lm-4000K-700mA-CRI 70	67 W	GRAPHITE	6/10kV
331082-00	CLD	7.25	LED-12768lm-4000K-700mA-CRI 70	100 W	GRAPHITE	6/10kV
331080-39	CLD	7.50	LED-3830lm-3000K-700mA-CRI 70	33 W	GRAPHITE	6/10kV
331081-39	CLD CELL	6.14	LED-7660lm-3000K-700mA-CRI 70	67 W	GRAPHITE	6/10kV
331082-39	CLD CELL	5.99	LED-11491lm-3000K-700mA-CRI 70	100 W	GRAPHITE	6/10kV
331083-00	CLD	7.50	LED-3620lm-4000K-530mA-CRI 70	25 W	GRAPHITE	6/10kV
331084-00	CLD	7.50	LED-7239lm-4000K-530mA-CRI 70	50 W	GRAPHITE	6/10kV
331085-00	CLD	6.32	LED-10859lm-4000K-530mA-CRI 70	76 W	GRAPHITE	6/10kV
331083-39	CLD	7.50	LED-3439lm-3000K-530mA-CRI 70	25 W	GRAPHITE	6/10kV
331084-39	CLD	7.50	LED-6877lm-3000K-530mA-CRI 70	50 W	GRAPHITE	6/10kV
331085-39	CLD	7.50	LED-10316lm-3000K-530mA-CRI 70	76 W	GRAPHITE	6/10kV
331086-00	CLD	7.50	LED-2476lm-4000K-350mA-CRI 70	16 W	GRAPHITE	6/10kV
331087-00	CLD	6.14	LED-4953lm-4000K-350mA-CRI 70	33 W	GRAPHITE	6/10kV
331088-00	CLD CELL	6.33	LED-7429lm-4000K-350mA-CRI 70	50 W	GRAPHITE	6/10kV
331086-39	CLD	7.50	LED-2352lm-3000K-350mA-CRI 70	16 W	GRAPHITE	6/10kV
331087-39	CLD	7.50	LED-4705lm-3000K-350mA-CRI 70	33 W	GRAPHITE	6/10kV
331088-39	CLD	7.50	LED-7057lm-3000K-350mA-CRI 70	50 W	GRAPHITE	6/10kV

#### Accessories



- 504 - Single arm



- 508 - Double arm

#### Posts



- 1508 fluted pole ø120 with base



- 1509 fluted pole ø120



- 1491 poles to be sunk into the ground



- 1493 pole with base

The reported luminous flux is the flux emitted by the light source with a tolerance of ± 10% compared to the indicated value. The W tot column indicates the total wattage absorbed by the system without exceeding 10% of the indicated

Posts



- 1477 Urban mast with base



- 1478 Urban to be sunk into the ground

The reported luminous flux is the flux emitted by the light source with a tolerance of  $\pm 10\%$  compared to the indicated value. The  $W_{tot}$  column indicates the total wattage absorbed by the system without exceeding 10% of the indicated