

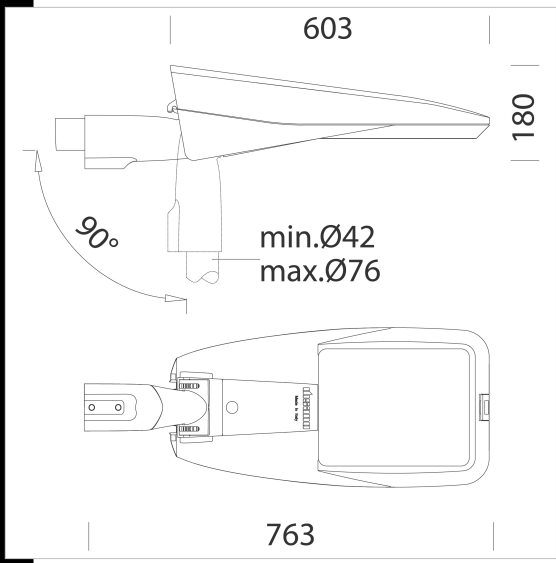


**3298 Sella 1 - right (R) -for pedestrian crossing**

Housing and cover: in die-cast aluminium and designed with a very small surface exposed to wind. Cooling fins are integrated into the cover. Optics: in PMMA, highly resistant to temperature and UV radiation. Pole connection: in die-cast aluminium and with gaskets to secure the frame according to different inclinations. Adjustable ranges: between 0° and 20° for side mount; and between 0° and 20° for mast-top mounting. Inclination pace: 5°. Suited for poles with a diameter 42-76. Diffuser: extra-clear, tempered glass, 4 mm thick, resistant to thermal shock and impacts (UNI-EN12150-1: 2001). Coating: Coating: the standard powder coating consists of a first metal surface pre-treatment stage and of single layer of UV-stabilised, corrosion and salt resistant polyester powder coating. The SELLA luminaire is declared to have passed the 2000 hours of salt corrosion resistance test in accordance with ASTM B 117 standard and the 2000 hours of UV condensation test in accordance with the ASTM G 154 standard. Standard supply: double insulation switch that cuts off electricity when the cover is opened. Electronic safety device to protect the LED module and the related ballast compliant with EN 61547. External connector for quick installation. It works in two modes: - differential mode: surge between power cables and between the phase and neutral. - common mode: surge between power, L/N and ground cables or between the fixture's body if it is of class II and installed on a metal pole. LED: Power factor: >=0.92 maintenance of luminous flux at 80%: 80.000h (L80B20). Wind surface: 1750cm².

The products of the Sella family are compliant with all applicable tests (third-party certification) pursuant to standard ANSI C136.31: Street Lighting - Luminaire Vibration. - Test level: 3.0G Level 2 for bridge/overpass applications.

- Upon request:
- Coating compliant with UNI EN ISO 9227 Corrosion tests in artificial atmospheres for aggressive environments.
  - Nema Socket, subcode 40 (sealing cap to be ordered separately)
  - Zhaga Socket, subcode 0054 (complete with sealing cap)
  - Advanced Prog (PROG CLD wiring): luminaires made to meet specific technological needs and designed, as standard, to integrate special functions to ensure high energy-savings, customization options and versatility of use in many applications (e.g. installation with dimmers or emergency supply). These functions are already available on standard products and must be enabled on request. These products do not require any modification to the entire system because the lamp only needs to be connected to mains power supply (no pilot cable and/or control bus required).
  - operating mode
  - Luminous flux setup: This can be done by programming the drive current values requested when ordering/purchasing the fixture.
  - Virtual Midnight, order with subcode -30: Stand-alone system with automatic luminous flux reduction in 4 steps (up to max 8 steps available upon request).
  - Broadcast Prog: This allows the reconfiguration of the Virtual Midnight profile, including the enabling/disabling of all the fixtures installed on the same power line (broadcast function) via a sequence of electrical impulses.
  - Mains voltage regulation: This allows varying the luminous flux by adjusting the mains voltage between 170 and 250 V AC.
  - CLO (Constant Light Output): The lighting fixture maintains a constant light output throughout its entire service life.
  - DC power in EM: In centralized emergency systems, the LED Driver automatically detects when the power changes from AC to DC and adjusts the lights to a pre-set value (DC level).
  - Monitoring (default): The driver is equipped with a micro-processor that records the operating conditions from the moment it is turned on.
  - Setup via APP: The NFC technology allows users to set the different operating modes via an APP.
- Registered Design DM/100271



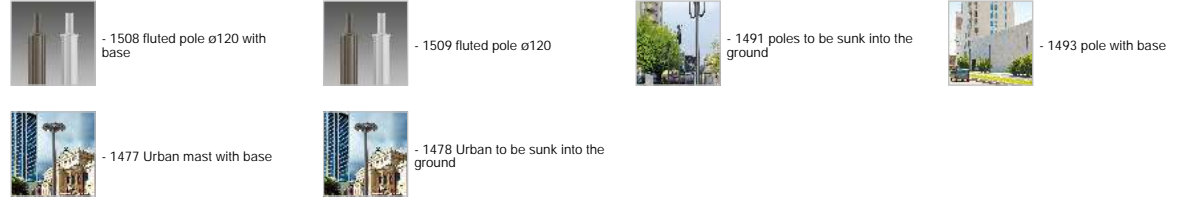
**Download**  
DXF 2D  
- 3296-97.dxf  
Montaggi  
- bi-power config.pdf  
- sella 07-20.pdf

Code	Gear	Kg	Lumen Output-K-CRI	WTot	Colour	Surge
330915-00	CLD	8,64	LED-12000lm-4000K-CRI 70	83 W	GREY	6/10kV
330916-00	CLD	7,04	LED-12000lm-4000K-CRI 70	83 W	GRAPHITE	6/10kV

**Accessori**



**Pali**



The reported luminous flux is the flux emitted by the light source with a tolerance of ± 10% compared to the indicated value. The W tot column indicates the total wattage absorbed by the system without exceeding 10% of the indicated