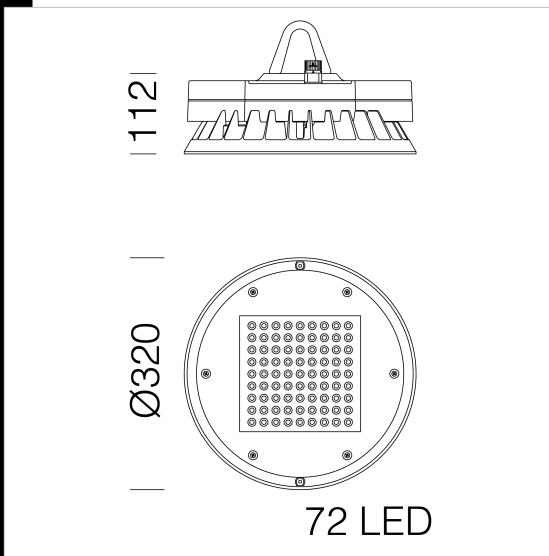


2888 Saturno ø320- wide beam



Saturno LED by Disano illuminazione: environmentally and work friendly lighting. The range of Disano spotlights for warehouses and manufacturing facilities is extended with new products.

Saturno LED is the right alternative solution to achieve the best performance, without wasting energy, in spaces where maximum power is needed. Built with the best materials and made to last in time, these fixtures are designed to ensure increased light control.

A manufacturing process is becoming increasingly more energy-efficient, making sustainability the most important challenge for companies that aim at maximum competitiveness. The use of new lighting technologies in production facilities allows achieving three fundamental goals: to save energy while ensuring economic and environmental advantages, to improve safety and comfort in work spaces and to increase productivity.

The new LED lighting fixtures cut energy consumption by half and offer superior light quality, in line with the market demands. Manufacturing facilities are changing, dedicating increasingly greater space to automation and precision processes. LED sources ensure high colour rendering that results in better viewing and positive effects on the workers' health and wellness. The range of Disano spotlights was designed to allow the best use of new sources and technologies for a more efficient management of the lighting system in industrial spaces. The possibility to choose the product with the most suitable technical features allows for the optimization of the economic investment, reaching increasingly higher levels of performance..

Housing: in die-cast aluminium with cooling fins. Optics: made of PMMA with high temperature resistance and UV rays. Diffuser: 4mm thick tempered glass, resistant to thermal shocks and impacts. Coating: the standard powder coating consists of a first metal surface pre-treatment stage and of single layer of UV-stabilised, corrosion and salt resistant polyester powder coating. Equipment: silicone rubber gasket; external screws and bolts in stainless steel; air recirculation valve. Insulation connector for quick installation with no need to open the fixture.

Electronic safety device to protect the LED module and the related ballast compliant with EN 61547. It works in two modes: - differential mode: surge between power cables and between the phase and neutral. - common mode: surge between power, L/N and ground cables or between the fixture's body if it is of class II and installed on a metal pole. On request: protection up to 10KV.

Emergency version: acc.1175 (997651-00) to be purchased separately. For code 330732-07, acc.1175 (997654-00) is to be purchased separately.

Luminous flux maintenance: 80% - 80.000h - (L80B10) - Ta = -20°C ÷ +45°

Power factor 0.95.

Photobiological risk: exempt, pursuant to EN62471. It is also available with an accessory that guarantees Saturno a UGR<22 and available with sensors Registered Design DM/100271

**Download**

- DXF 2D
- 2888m.dxf
- 3DS
- disano\_2888\_saturno\_120\_led.3ds
- disano\_2888\_saturno\_168\_led.3ds
- disano\_2888\_saturno\_72\_led.3ds
- 3DM
- disano\_2888\_saturno\_72\_led.3dm
- disano\_2888\_saturno\_120\_led.3dm
- disano\_2888\_saturno\_168\_led.3dm
- Montaggi
- saturno 07-20.pdf
- BIM
- 2888 Saturno - wide beam + Skirt - 20200604.zip
- 2888 Saturno - wide beam - 20200604.zip

Code	Gear	Kg	Lumen Output-K-CRI	WTot	Colour	Surge
330743-00	CLD	4.52	LED-8435lm-4000K-CRI 80	64 W	WHITE	4kV
330743-07	CLD-E	4.68	LED-8435lm-4000K-CRI 80	67 W	WHITE	4kV

**Accessories**

The reported luminous flux is the flux emitted by the light source with a tolerance of ± 10% compared to the indicated value. The W tot column indicates the total wattage absorbed by the system without exceeding 10% of the indicated