



3355 Garda 6 - rotosymmetrical

Housing and arms: pressed in die-cast aluminium and designed with a very small surface exposed to wind.

Optics: optics made of PMMA with high temperature resistance and UV rays.

Pole connection: pressed in die-cast aluminium. Suited for poles with a diameter 60-76mm.

Diffuser: extra-clear tempered glass, 4 mm thick, resistant to thermal shocks and impacts (UNI-EN 12150-1: 2001).

Coating: the standard liquid immersion coating consists of a first metal surface pre-treatment stage, a successive epoxy cataphoresis corrosion and salt resistant coating, and a final layer of bi-component acrylic liquid UV-stabilised coating.

Equipment: nylon wiring plate 30% fibre glass complete with connector for mains connection and for LED module. Automatic temperature control inside the device with automatic resetting. With dedicated electronic device to protect the LED module. Equipped with an air-circulation valve.

Energy-saving: the possibility to choose the correct drive current for LEDs will allow you to have the right power under specific design conditions, and also help you deal with maintenance and retrofitting problems. Using a lower current will improve the efficiency of fixtures and therefore increase energy savings, whilst a higher current will result in a higher light flux so that you can reduce the number of fixtures.

Regulations: produced according to applicable EN60598-1 CEI 34-21 standards, degree of protection according to EN 60529 standards.

LED: Power factor ≥ 0.9 .

Luminous flux maintenance 80%: 80.000h (L80B20)

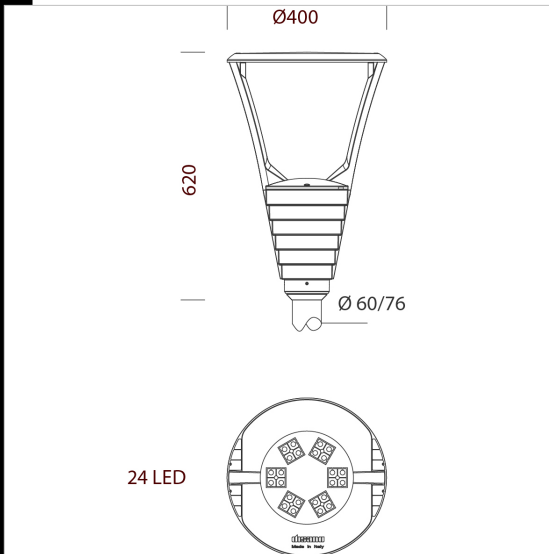
Surface exposed to wind: 769 cm².

BASIC PROG (BASIC CLD) AVAILABLE FUNCTIONS

Luminous flux setup: This can be done by programming the drive current values requested when ordering/purchasing the fixture.

Upon request:

- Coating compliant with UNI EN ISO 9227 Corrosion tests in artificial atmospheres for aggressive environments.
- with power supply 1-10 V dimmable with subcode 12.
- with virtual midnight subcode 30.
- power line carrier remote control systems subcode 0078.
- Nema Socket, subcode 40 (sealing cap to be ordered separately)
- Zhaga Socket, subcode 0054 (complete with sealing cap)



Code	Gear	Kg	Lumen Output-K-CRI	WTot	Colour	Surge
330551-00	CLD	6,31	LED-5817lm-4000K-CRI 70	44 W	ANTHRACITE	6/10kV
330551-39	CLD	5,88	LED-5410lm-3000K-CRI 70	44 W	ANTHRACITE	6/10kV

Prodotti



- 109 anti-glare diffuser

The reported luminous flux is the flux emitted by the light source with a tolerance of $\pm 10\%$ compared to the indicated value. The W tot column indicates the total wattage absorbed by the system without exceeding 10% of the indicated