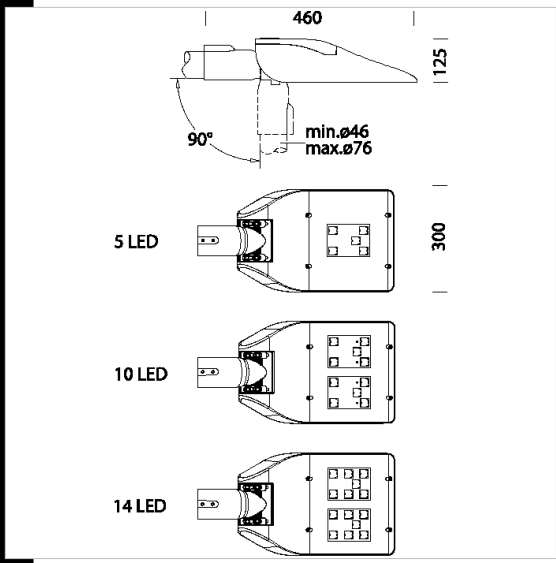


3284 Rolle - T5

Housing and cover: in die-cast aluminium and designed with a very small surface exposed to wind. Cooling fins are integrated into the cover.
 Optics: in PMMA, highly resistant to temperature and UV radiation
 Pole connection: in die-cast aluminium and with gaskets to secure the frame according to different inclinations. Adjustable ranges: between 0° and 15° for side mount; and between 0° and 10° for mast-top mounting. Inclination pace: 5°. Suited for poles with a diameter of 46-70mm.
 Diffuser: clear, tempered glass, 4 mm thick, resistant to thermal shock and impacts (UNI-EN 12150-1 : 2001)
 Coating: the standard powder coating consists of a first metal surface pre-treatment stage and of single layer of UV-stabilised, corrosion and salt resistant polyester powder coating.
 Standard supply: automatic temperature control device. In the event of an unexpected LED temperature rise caused by particular weather conditions or a LED failure, the system will reduce the luminous flux to lower the working temperature and guarantee proper operation. Safety diode to protect against voltage peaks.
 Equipment: complete with IP67 airtight connector for mains connection.
 Heat sink: the heat dissipation system is specially designed and made to allow the operation of the LED lights with temperatures below 50° (Tj = 25°), thus guaranteeing excellent performance/efficiency and durability.
 LED: Latest generation LED technology, Ta -30 + 40°C life >100.000h to 80% L80B10
 Photobiological safety class: exempt group EN62471.
 Power factor >0.9



Regulations: Produced according to applicable EN60598-1 CEI 34-21 standards, degree of protection according to EN 60529 standards.
 Wind surface: L:548cm² S:1431cm².
BASIC PROG (BASIC CLD) AVAILABLE FUNCTIONS
 Luminous flux setup: This can be done by programming the drive current values requested when ordering/purchasing the fixture.
 Upon request:
 - Coating compliant with UNI EN ISO 9227 Corrosion tests in artificial atmospheres for aggressive environments.
 - with power supply 1-10 V dimmable with subcode 12.
 - with virtual midnight subcode 30.
 - power line carrier remote control systems subcode 0078.
 - Nema Socket, subcode 40 (sealing cap to be ordered separately)
 - Zhaga Socket, subcode 0054 (complete with sealing cap)
 Contact the Consulting and design Centre for any lighting information.

Download
 DXF 2D
 - 3280.dxf
 3DS
 - disano_3284_rolle_b.3ds
 - disano_3284_rolle_a.3ds
 3DM
 - disano_3284_rolle_a.3dm
 - disano_3284_rolle_b.3dm
 Montaggi
 - rolle.pdf
 - bi-power config.pdf
 BIM
 - 3284 Rolle - T5 - 20200224.zip

Code	Gear	Kg	Lumen Output-K-CRI	WTot	Colour	Surge
330440-00	CLD	7,64	LED-4659lm-700mA-4000K-CRI 70	42 W	GREY	6/10kV
330441-00	CLD	7,74	LED-9320lm-700mA-4000K-CRI 70	85 W	GREY	6/10kV
330442-00	CLD	7,64	LED-13049lm-700mA-4000K-CRI 70	119 W	GREY	6/10kV
330443-00	CLD	6,58	LED-3495lm-530mA-4000K-CRI 70	32 W	GREY	6/10kV
330444-00	CLD	7,80	LED-6990lm-530mA-4000K-CRI 70	64 W	GREY	6/10kV
330445-00	CLD	7,29	LED-9787lm-530mA-4000K-CRI 70	90 W	GREY	6/10kV
330446-00	CLD	6,62	LED-2566lm-350mA-4000K-CRI 70	21 W	GREY	6/10kV
330447-00	CLD	7,28	LED-5135lm-350mA-4000K-CRI 70	42 W	GREY	6/10kV
330448-00	CLD	7,37	LED-7190lm-350mA-4000K-CRI 70	58 W	GREY	6/10kV
330440-39	CLD	7,64	LED-4333lm-700mA-3000K-CRI 70	42 W	GREY	6/10kV
330441-39	CLD	7,30	LED-8668lm-700mA-3000K-CRI 70	85 W	GREY	6/10kV
330442-39	CLD	7,18	LED-12136lm-700mA-3000K-CRI 70	119 W	GREY	6/10kV
330443-39	CLD CELL	6,58	LED-3250lm-530mA-3000K-CRI 70	32 W	GREY	6/10kV
330444-39	CLD CELL	7,80	LED-6501lm-530mA-3000K-CRI 70	64 W	GREY	6/10kV
330445-39	CLD CELL	7,28	LED-9102lm-530mA-3000K-CRI 70	90 W	GREY	6/10kV
330446-39	CLD CELL	6,62	LED-2386lm-350mA-3000K-CRI 70	21 W	GREY	6/10kV
330447-39	CLD CELL	7,28	LED-4776lm-350mA-3000K-CRI 70	42 W	GREY	6/10kV
330448-39	CLD CELL	7,36	LED-6687lm-350mA-3000K-CRI 70	58 W	GREY	6/10kV

Accessori



Pali



The reported luminous flux is the flux emitted by the light source with a tolerance of ± 10% compared to the indicated value. The W tot column indicates the total wattage absorbed by the system without exceeding 10% of the indicated

3284 Rolle - T5

Pali



- 1480 tapered steel lighting pole with base



- 1409 fluted pole ϕ 100



- 1494 pole with base



- 1492 poles to be sunk into the ground

The reported luminous flux is the flux emitted by the light source with a tolerance of $\pm 10\%$ compared to the indicated value. The W tot column indicates the total wattage absorbed by the system without exceeding 10% of the indicated