

3273 Stelvio 1 - Plus S - LED



Housing and cover: in die-cast aluminium and designed with a very small surface exposed to wind. Cooling fins are integrated into the cover. Pole connection: in die-cast aluminium and with gaskets to secure the frame according to different inclinations. Adjustable ranges: between 0° and 15° for side mount; and between 0° and 10° for mast-top mounting. Inclination pace: 5°. Suited for poles with a diameter 63-60mm. Diffuser: clear, tempered glass, 4 mm thick, resistant to thermal shock and impacts (UNI-EN 12150-1 : 2001). Coating: the standard powder coating consists of a first metal surface pre-treatment stage and of single layer of UV-stabilised, corrosion and salt resistant polyester powder coating. Standard supply: Automatic temperature control inside the device with automatic resetting. Electronic safety device to protect the LED module and the related ballast compliant with EN 61547. It works in two modes: - differential mode: surge between power cables and between the phase and neutral. - common mode: surge between power, L/N and ground cables or between the fixture's body if it is of class II and installed on a metal pole. Upon request: protection up to 10KV. Equipment: complete with IP67 airtight connector for mains connection. Supplied with double insulation switch that cuts off electricity when the cover is opened. Energy-saving: the possibility to choose the correct drive current for LEDs will allow you to have the right power under specific design conditions, and also help you deal with maintenance and retrofitting problems. Using a lower current will improve the efficiency of fixtures and therefore increase energy savings, whilst a higher current will result in a higher light flux so that you can reduce the number of fixtures.

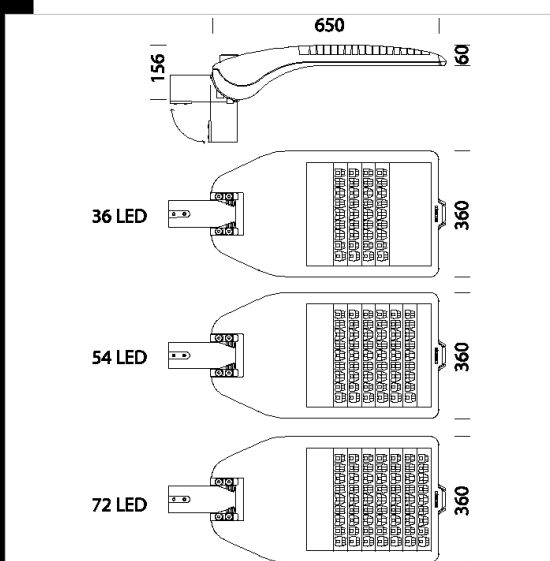
Optics: V0 polycarbonate with micro-faceted finish. Flow recovery in V2 polycarbonate. The total return of the equipment is close to 100%LED: Latest generation LED technology, Ta-30+40°C life 80%: >100.000h (L80B10). Photobiological safety class: exempt group EN62471. Power factor >0.9

Regulations: Produced according to applicable EN60598-1 CEI 34-21 standards, degree of protection according to EN 60529 standards.

Upon request:

- with power supply 1-10 V dimmable with subcode 12.
- with power supply DIG dimmable with subcode 0041.
- with virtual midnight subcode 30.
- power line carrier remote control systems subcode 0078.

Wind surface: L:229cm² F:470cm².



Code	Gear	Kg	Lumen Output-K-CRI	WTot	Colour	Surge
330344-00	CLD CELL	10,20	LED-8646lm-700mA-4000K-CRI>70	76 W	ANTHRACITE	6/8kV
330345-00	CLD CELL	11,20	LED-13138lm-700mA-4000K-CRI>70	114 W	ANTHRACITE	6/8kV
330347-00	CLD CELL	12,20	LED-17517lm-700mA-4000K-CRI>70	152 W	ANTHRACITE	6/8kV
330344-30	CLD CELL	10,44	LED-8646lm-700mA-4000K-CRI>70	76 W	ANTHRACITE	6/8kV
330345-30	CLD CELL	10,30	LED-13138lm-700mA-4000K-CRI>70	114 W	ANTHRACITE	6/8kV
330347-30	CLD CELL	11,74	LED-17517lm-700mA-4000K-CRI>70	152 W	ANTHRACITE	6/8kV
330344-39	CLD CELL	9,80	LED-8041lm-700mA-3000K-CRI>70	74 W	ANTHRACITE	6/8kV
330345-39	CLD CELL	11,20	LED-12218lm-700mA-3000K-CRI>70	114 W	ANTHRACITE	6/8kV
330347-39	CLD CELL	10,84	LED-16291lm-700mA-3000K-CRI>70	148 W	ANTHRACITE	6/8kV

Accessori



- 578 adjustable bracket



- 504 - Single arm



- 508 - Double arm

Pali



- 1508 fluted pole ø120 with base



- 1509 fluted pole ø120



- 1491 poles to be sunk into the ground



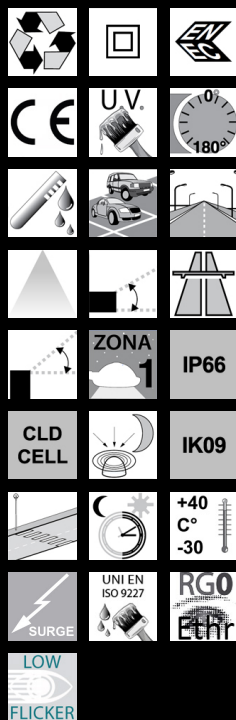
- 1481 tapered steel lighting pole to be buried



- 1480 tapered steel lighting pole with base



- 1493 pole with base



Download

- DXF 2D
- 3273.dxf
- 3DS
- disano_3273_stelvio_36led.3ds
- disano_3273_stelvio_54led.3ds
- disano_3273_stelvio_72led.3ds

- 3DM
- disano_3273_stelvio_54led.3dm
- disano_3273_stelvio_36led.3dm
- disano_3273_stelvio_72led.3dm

- Montaggi
- STELVIO-MINISTELVIO.pdf
- bi-power config.pdf

- BIM
- 3273 Stelvio 1 - Plus S - LED - 20200224.zip

The reported luminous flux is the flux emitted by the light source with a tolerance of ± 10% compared to the indicated value. The W tot column indicates the total wattage absorbed by the system without exceeding 10% of the indicated