



Download

- DXF 2D
- 1794d.dxf
- 3DS
- disano_1794_astro_32_LED_C.3ds
- 3DM
- disano_1794_astro_32_LED_C.3dm
- Montaggi
- astro 01-21.pdf
- 1794hp.pdf
- BIM
- 1794 Astro LED - asymmetric 30° - High Power - 20200514.zip



1794 Astro LED - asymmetric 30° - High Power

Lights with great aesthetic quality, superior energy-efficiency and long life: in order to obtain the best from the new lighting technology, lighting systems need the technical requirements and the reliability of state-of-the-art fixtures, such as the ones designed by Disano, a company with over fifty years of experience in the lighting sector.

Astro was created to meet these criteria and is available in three different versions: for interiors, centre-road application and as a spotlight.

Simple and linear aesthetics combines with a sophisticated technology to offer exceptional technical performance: Astro was designed to take the best from all the potential of the new high-performance LED lights.

Quality materials and the fixture's high reliability, as always guaranteed by Disano, are a safe investment.

The product offers the possibility to choose the correct drive current for LEDs and have the right power under specific design conditions

Housing: in die-cast aluminium with cooling fins integrated into the cover.

Diffuser: tempered glass, 4 mm thick, resistant to thermal shocks and impacts (UNI-EN 12150-1: 2001).

Coating: the standard powder coating consists of a first metal surface pre-treatment stage and of single layer of UV-stabilised, corrosion and salt resistant polyester powder coating.

Standard supply: Electronic safety device to protect the LED module and the related ballast compliant with EN 61547. It works in two modes: - differential mode: surge between power cables and between the phase and neutral.

- common mode: surge between power, L/N and ground cables or between the fixture's body if it is of class II and installed on a metal pole. Upon request: protection up to 10KV. Coating compliant with UNI EN ISO 9227 Corrosion tests in artificial atmospheres for aggressive environments.

The possibility to choose the correct drive current for LEDs. Using a lower current will improve the efficiency of fixtures and therefore increase energy saving.

Optics: in PMMA, highly resistant to temperature and UV radiation

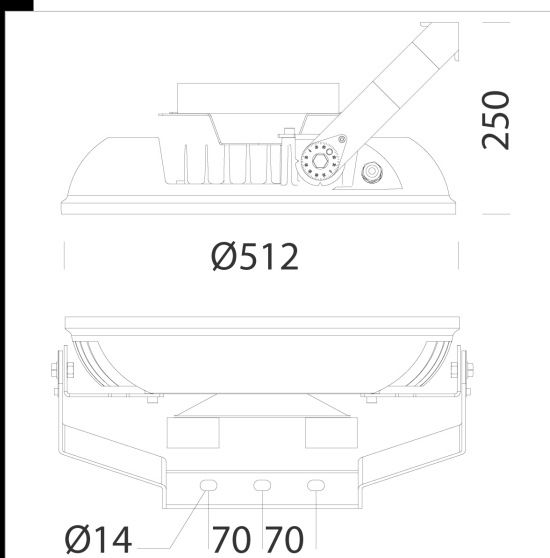
LED: Latest generation LED technology, life 90%: 80000h (L90B10). Ta-30+30°C

Photobiological safety class: exempt group EN62471.

Upon request:
- with power supply DIG dimmable with subcode 0041.

- with virtual midnight subcode 30.
- power line carrier remote control systems subcode 0078.

Wind surface: Ø512 = L=813cm2 – F=2227cm2



Code	Gear	Kg	Lumen Output-K-CRI	WTot	Colour	Surge
330126-00	CLD	17,90	LED-29493lm-900mA-4000K-30°-CRI 70	395 W	GREY	4/6kV
330127-00	CLD	18,12	LED-29493lm-900mA-4000K-30°-CRI 70	395 W	GRAPHITE	4/6kV

Accessori



- 24 protective guard

The reported luminous flux is the flux emitted by the light source with a tolerance of ± 10% compared to the indicated value. The W tot column indicates the total wattage absorbed by the system without exceeding 10% of the indicated