

### 3312 Pordoi

Housing: in die-cast aluminium with latch.

Reflector: in aluminum 99.85

Diffuser: tempered glass, 4 mm thick, resistant to thermal shock and impact (UNI En 12150-1/2001).

Electric gear: flexible silicone wire terminated with tin-plated admiralty brass clamps. 2P+T terminal block, maximum allowed lead cross section, 2.5 sq mm.

Coating: multi-stage process. Stage 1: grey epoxy cationic electrocoating, resistant to corrosion and saline environments. Stage 2: UV-stabilising priming. Stage 3: gray graphite acrylic finishing.

Equipment: during maintenance the cover remains locked which prevent accidental closure. Wiring on removable tray with quick connectors for connection to the mains and the lampholder.

Regulations: Produced according to applicable EN60598-1CEI 34-21 standards, degree of protection according to EN 60529 standards.

Wind surface: 900cm<sup>2</sup>.

**Download**

DXF 2D

- 3312-3313.dxf

3DS

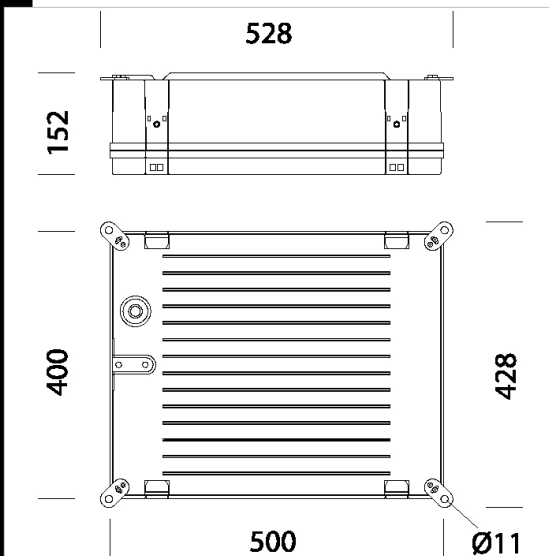
- disano\_3312\_pordoi.3ds

3DM

- disano\_3312\_pordoi.3dm

Montaggi

- pordoi 04-20.pdf



Code	Gear	Kg	Lumen-K-CRI	WTot	Base	Colour
328144-00	CNR	14.16	SAP-T 400---	435 W	E40	GRAPHITE
328142-00	CNR	11.90	SAP-T 150---	157 W	E40	GRAPHITE
328141-00	CNR	11.08	SAP-T 100---	114 W	E40	GRAPHITE
328143-00	CNR	12.76	SAP-T 250---	277 W	E40	GRAPHITE
328140-00	CNR	10.88	SAP-T 70---	83 W	E27	GRAPHITE

The reported luminous flux is the flux emitted by the light source with a tolerance of ± 10% compared to the indicated value. The W tot column indicates the total wattage absorbed by the system without exceeding 10% of the indicated