

3196 Sforza LED with bracket – cycle lanes



Urban elegance often rhymes with simplicity. A need is felt for simple and easily recognizable shapes in an urban landscape increasingly crowded with stimuli and confused signals.

Sforza conveys a sense of peace and reliability, which is just what a good urban lighting project requires. (also indoor version)

Housing/Frame: in die-cast aluminium. With provision for central connection.

Diffuser: tempered glass, 5 mm thick, thermal shock and impact resistant (UNI EN 12150 tests .- 1/2001).

Optics: in high-efficiency, metal-coated V0 polycarbonate, matt finish and micro-facetted to reduce direct glare.

Coating: in different stages. By epoxy cationic electrocoating, resistant to corrosion and saline environments. Second coating using sand-blasted silver coloured and graphite grey acrylic resin, green, UV stabilized. Additional colours are available upon request.

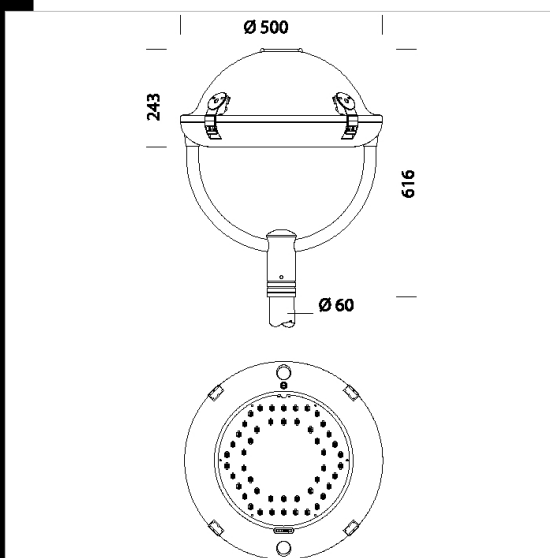
Equipment: device for automatic temperature control. In the event of an unexpected LED temperature rise caused by particular weather conditions or a LED failure, the system will reduce the luminous flux to lower the working temperature and guarantee proper operation. Complete with quick connection. Standard knife switch.

Sforza is equipped with 42 modules led 1w cad. - 6468lm - 4000K - 350mA - (on request 530mA powered version 9450lm - 63W).

LED: Latest generation LED technology, Ta-30+40°C life 60.000h L70B20

Photobiological safety class: exempt group

Regulations: Produced according to applicable EN60598-1 CEI 34-21 standards, degree of protection according to EN 60529 standards.



Code	Gear	Kg	Watt	Base	Lamps	Colour
327050-00	CLD CELL	9,67	LED white 40W		6468lm @ 350mA-4000K-CRI>70	SILVER/GRAPHITE

Pali



- 1430 City Pole



- 1481 tapered steel lighting pole



- 1480 tapered steel lighting pole



- 1409 fluted pole ø100



- 1477 Urban mast with base



- 1508 fluted pole ø120 with base



- 1509 fluted pole ø120



- 1478 Urban to be sunk into the ground



Download

- DXF 2D
- 3196.dxf
- 3DS
- disano_3196_sforza.3ds
- 3DM
- disano_3196_sforza.3dm
- Montaggi
- sforza2.pdf
- 3196_piastra_led-osram.dxf
- sforza_forcella_installazione.dxf