

3194 Sforza LED with bracket – light scattering with elliptical lenses

Urban elegance often rhymes with simplicity. A need is felt for simple and easily recognizable shapes in an urban landscape increasingly crowded with stimuli and confused signals.

Sforza conveys a sense of peace and reliability, which is just what a good urban lighting project requires. (also indoor version)

Housing/Frame: in die-cast aluminium. With provision for central connection.

Diffuser: tempered glass, 5 mm thick, thermal shock and impact resistant (UNI EN 12150 tests .- 1/2001).

Optics: in high-efficiency, metal-coated V0 polycarbonate, matt finish and micro-facetted to reduce direct glare.

Coating: in different stages. By epoxy cationic electrocoating, resistant to corrosion and saline environments. Second coating using sand-blasted silver coloured and graphite grey acrylic resin, green, UV stabilized. Additional colours are available upon request.

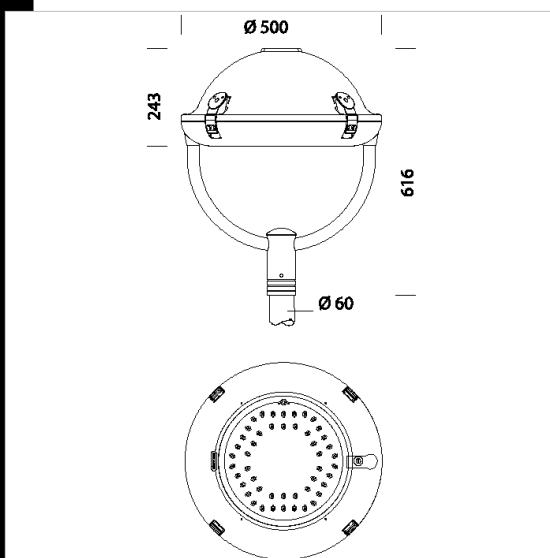
Equipment: device for automatic temperature control. In the event of an unexpected LED temperature rise caused by particular weather conditions or a LED failure, the system will reduce the luminous flux to lower the working temperature and guarantee proper operation. Complete with quick connection. Standard knife switch.

Sforza is equipped with 42 modules led 1w cad. - 6468lm - 4000K - 350mA - (on request 530mA powered version 9450lm - 63W).

LED: Latest generation LED technology, Ta-30+40°C life 60.000h L70B20

Photobiological safety class: exempt group

Regulations: Produced according to applicable EN60598-1 CEI 34-21 standards, degree of protection according to EN 60529 standards.



Download

DXF 2D
- 3194.dxf

3DS
- disano_3194_sforza.3ds

3DM
- disano_3194_sforza.3dm

Montaggi
- 3194 piastra led-osram.dxf
- sforza2.pdf
- sforza_forcella installazione.dxf

Code	Gear	Kg	Watt	Base	Lamps	Colour
327030-00	CLD CELL	10,20	LED white 40W		6468lm @ 350mA-4000K-CRI>70	SILVER/GRAPHITE

Posts

