

3193 Sforza - street type

Urban elegance often rhymes with simplicity. A need is felt for simple and easily recognizable shapes in an urban landscape increasingly crowded with stimuli and confused signals.

Sforza conveys a sense of peace and reliability, which is just what a good urban lighting project requires. (also indoor version)

Housing/Frame: in die-cast aluminium. With provision for central connection.

Diffuser: tempered glass, 5 mm thick, thermal shock and impact resistant (UNI EN 12150 tests .- 1/2001).

Reflector: non-polluting louvre, in pressed aluminium 99.85, anodically oxidized, 3 mm thick, polished.

Electric gear: 230V/50Hz power supply and thermal protection. Flexible wire terminated with quick connection admiralty brass clamps.

2P terminal block, maximum allowed lead cross section 2.5 mm².

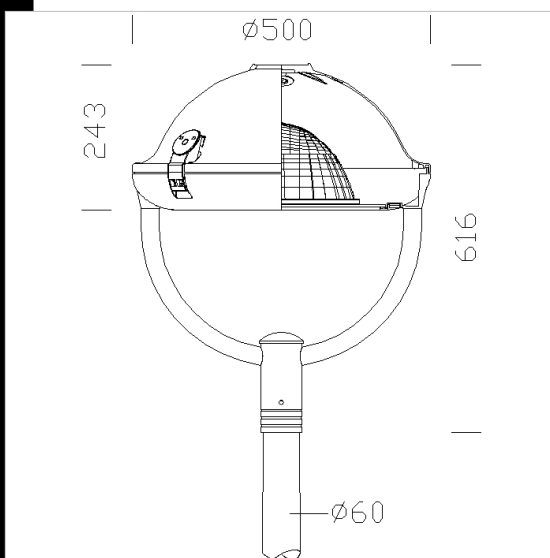
Coating: in different stages. By epoxy cationic electrocoating, resistant to corrosion and saline environments. Second coating using sand-blasted silver coloured and graphite grey acrylic resin, green, UV stabilized. Additional colours are available upon request.

Standard supply: in case of maintenance, the frame remains suspended by way of brackets once opened.

Standard knife switch and quick connector for connection to the line.

Wiring on removable tray for easy maintenance. Available in the dual power version, with remote control installation.

Regulations: Produced according to applicable EN60598-1CEI 34-21 standards, degree of protection according to EN 60529 standards.



Download

DXF 2D
- 3193.dxf

3DS
- disano_3193_sforza.3ds

3DM
- disano_3193_sforza.3dm

Montaggi
- sforza_forcella installazione.dxf
- sforza3.pdf

Code	Gear	Kg	Watt	Base	Lamps	Colour
327022-00	CNR-L	11,20	SAP-T 150	E40	17200lm-2000K-Ra 4	SILVER/GRAPHITE
327023-00	CNR-L	11,00	CDO-TT 70	E27	6300lm-2800K-Ra 1a	SILVER/GRAPHITE
327024-00	CNR-L	11,20	CDO-TT 100	E40	8800lm-2800K-Ra 1a	SILVER/GRAPHITE
327025-00	CNR-L	12,20	CDO-TT 150	E40	13500lm-2800K-Ra 1b	SILVER/GRAPHITE
327020-00	CNR-L	11,00	SAP-T 70	E27	6000lm-2000K-Ra 4	SILVER/GRAPHITE
327021-00	CNR-L	11,20	SAP-T 100	E40	9000lm-2000K-Ra 4	SILVER/GRAPHITE