

3191 Sforza - wide beam

Urban elegance often rhymes with simplicity. A need is felt for simple and easily recognizable shapes in an urban landscape increasingly crowded with stimuli and confused signals.

Sforza conveys a sense of peace and reliability, which is just what a good urban lighting project requires. (also indoor version)

Housing/Frame: in die-cast aluminium. With provision for central connection. Diffuser: tempered glass, 5 mm thick, thermal shock and impact resistant (UNI EN 12150 tests .- 1/2001).

Reflector: non-polluting louvre, in pressed aluminium 99.85, anodically oxidized, 3 mm thick, polished.

Electric gear: 230V/50Hz power supply and thermal protection. Flexible wire terminated with quick connection admiralty brass clamps.

2P terminal block, maximum allowed lead cross section 2.5 mm².

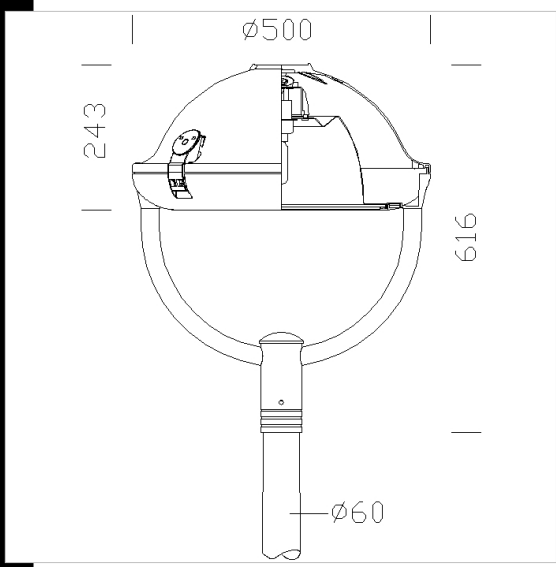
Coating: in different stages. By epoxy cationic electrocoating, resistant to corrosion and saline environments. Second coating using sand-blasted silver coloured and graphite grey acrylic resin, green, UV stabilized. Additional colours are available upon request.

Standard supply: in case of maintenance, the frame remains suspended by way of brackets once opened.

Standard knife switch and quick connector for connection to the line.

Wiring on removable tray for easy maintenance.

Regulations: Produced according to applicable EN60598-1CEI 34-21 standards, degree of protection according to EN 60529 standards.



Code	Gear	Kg	Watt	Base	Lamps	Colour
327000-00	CNR-L	10,40	CDM-T 70	G12	6600lm-3000K-Ra 1b	SILVER/GRAPHITE
327001-00	CNR-L	11,40	CDM-T 150	G12	14000lm-3000K-Ra 1b	SILVER/GRAPHITE

Download

DXF 2D
- 3191.dxf

Montaggi
- sforza_forcella installazione.dxf
- sforza3.pdf