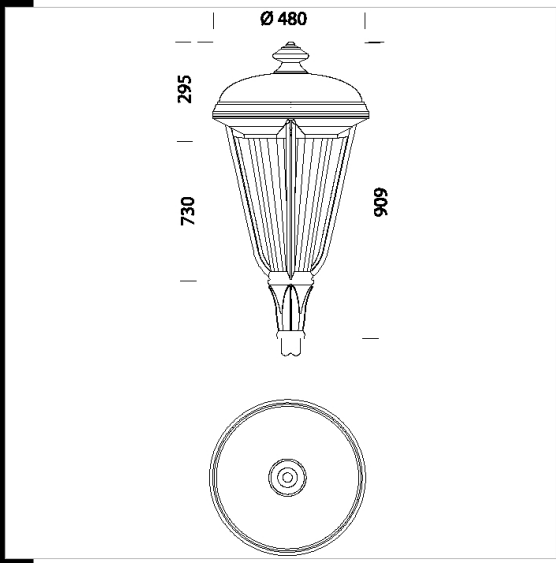


3214 Lucerna R4 suspension lamp

Housing, lid, spokes, and connection for die-cast aluminium pressed poles.
 Diffuseur: In shatterproof and self-extinguishing V2 polycarbonate, UV-stabilized, frosted inside for higher dazzle control.
 Reflector: in 99.85 turned aluminium, anodically oxidized and polished.
 Coating: In different stages. Grey epoxy cationic electrocoating, resistant to corrosive and saline environments. UV stabilized priming using anthracite grey acrylic resin.
 Electric gear: Versions with electromechanical ballast. 230V/50hz power supply with thermal protection. Flexible cable terminated with admiralty brass clamps, double silicone insulation. 2P terminal block with maximum allowed lead cross section of 2.5 mm².
 Equipment: Nylon wiring plate, 30% fibre glass, removable, utensil-free, for quick maintenance. Standard knife switch, which enables to cut off the power supply automatically in case of maintenance. Socket-pin connector for quick connection to the line.
 Supplied with knife switch, which enables to cut off the power supply automatically in case of maintenance.
 Stainless steel screws. Steel slide-away hinge, 25/10 thickness, with safety brackets against the accidental closure of the lid.

Download
 DXF 2D
 - 3214.dxf
 3DS
 - disano_3214_lucerna.3ds
 3DM
 - disano_3214_lucerna.3dm
 Montaggi
 - lucerna_q-r.pdf



Code	Gear	Kg	Watt	Base	Lamps	Colour
326994-00	CELL	8,00	FLC 70T/E	Gx24q-6	5200lm-2700K-Ra 1b	ANTHRACITE
326990-00	CNR-L	9,45	CDM-T 70	G12	6600lm-3000K-Ra 1b	ANTHRACITE
326991-00	CNR-L	10,40	CDM-T 150	G12	14000lm-3000K-Ra 1b	ANTHRACITE
326992-00	CNR-L	9,45	JM-E 70	E27	6400lm-3200K-Ra 1b	ANTHRACITE
326993-00	CNR-L	10,40	JM-E 150	E27	14000lm-4000K-Ra 1b	ANTHRACITE

