



3212 Lucerna R LED

In the history of design there are traditional shapes that cannot possibly be suppressed. Characteristic lampposts with glass lanterns are pictured in all the old photographs of every town and city, they are present in personal memories and part of the urban décor itself.

The opportunity presented by new technologies to renovate urban lighting to improve light efficiency and save energy, can be united with the desire to preserve the endless charm of old lampposts.

Lucerna is not a mere redesigned version of the traditional lamppost, but a new project where great care has been taken over the reshaping of a traditional pattern down to the most minute detail. The lantern comes in two versions, respectively with a square and a circular section, paired with redesigned poles in matching styles that are decorated with distinctive floral motifs at the base or around the connector joining the pole to the lamp.

Housing, lid, spokes, and connection for die-cast aluminium pressed poles.

Diffuser: Tempered glass, 5 mm thick, withstands thermal shock and impacts

Coating: the standard liquid immersion coating consists of a first metal surface pre-treatment stage, a successive epoxy cataphoresis corrosion and salt resistant coating, and a final layer of bi-component acrylic liquid UV-stabilised coating.

Equipment: Stainless steel screws. Steel slide-away hinge, 25/10 thickness, with safety brackets against the accidental closure of the lid. Supplied with knife switch, which enables to cut off the power supply automatically in case of maintenance. Complete with connector for mains connection and for LED module. Automatic temperature control inside the device with automatic resetting. With dedicated electronic device to protect the LED module. Equipped with an air-circulation valve.

Energy-saving: the possibility to choose the correct drive current for LEDs will allow you to have the right power under specific design conditions, and also help you deal with maintenance and retrofitting problems. Using a lower current will improve the efficiency of fixtures and therefore increase energy savings, whilst a higher current will result in a higher light flux so that you can reduce the number of fixtures.

LED: Power factor ≥ 0.9 .

Luminous flux maintenance 80%: $>100.000h$ (L80B10), Ta-30+40°C.

Photobiological safety class: exempt group. The total return of the equipment is close to 100%. The total return of the equipment is close to 100%. Each LED module is equipped with a lens with high efficiency

Regulations: Produced according to applicable EN60598-1 CEI 34-21 standards, degree of protection according to EN 60529 standards.

Upon request:

- Coating compliant with UNI EN ISO 9227 Corrosion tests in artificial atmospheres for aggressive environments.

Advanced Prog (PROG CLD wiring): luminaires made to meet specific technological needs and designed, as standard, to integrate special functions to ensure high energy-savings, customization options and versatility of use in many applications (e.g. installation with dimmers or emergency supply). These functions are already available on standard products and must be enabled on request. These products do not require any modification to the entire system because the lamp only needs to be connected to mains power supply (no pilot cable and/or control bus required).

operating mode

Luminous flux setup: This can be done by programming the drive current values requested when ordering/purchasing the fixture.

Virtual Midnight, order with subcode -30: Stand-alone system with automatic luminous flux reduction in 4 steps (up to max 8 steps available upon request).

Broadcast Prog: This allows the reconfiguration of the Virtual Midnight profile, including the enabling/disabling of all the fixtures installed on the same power line (broadcast function) via a sequence of electrical impulses.

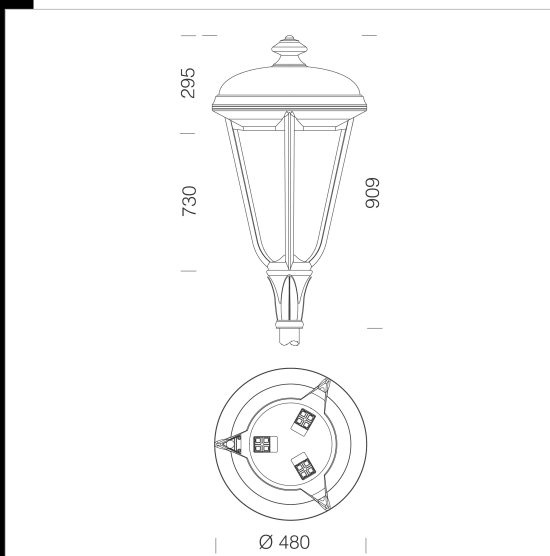
Mains voltage regulation: This allows varying the luminous flux by adjusting the mains voltage between 170 and 250 V AC.

CLO (Constant Light Output): The lighting fixture maintains a constant light output throughout its entire service life.

DC power in EM: In centralized emergency systems, the LED Driver automatically detects when the power changes from AC to DC and adjusts the lights to a pre-set value (DC level).

Monitoring (default): The driver is equipped with a micro-processor that records the operating conditions from the moment it is turned on.

Setup via APP: The NFC technology allows users to set the different operating modes via an APP.



Download

DXF 2D

- 3212nh.dxf

3DS

- disano_3218_lucerna.3ds

3DM

- disano_3218_lucerna.3dm

Montaggi

- Lucerna 01-17.pdf

BIM

- 3212_Lucerna R LED elliptical lenses

- 20200604.zip

Code	Gear	Kg	Lumen Output-K-CRI	WTot	Colour	Surge
326970-00	CLD	12,35	LED-3408lm-350mA-4000K-CRI>70	27 W	ANTHRACITE	6/10kV
326970-39	CLD CELL	10,42	LED-3168lm-350mA-3000K-CRI>70	27 W	ANTHRACITE	6/10kV

Accessori



- 514 bracket for Lucerna



- 515 Arm attachment



- 516 lid



- 517 central connection

Pali



- 1410 Pole with base



- 1411 pole to be sunk into the ground



- 1420 pole with base



- 1421 poles to be sunk into the ground

The reported luminous flux is the flux emitted by the light source with a tolerance of $\pm 10\%$ compared to the indicated value. The W tot column indicates the total wattage absorbed by the system without exceeding 10% of the indicated