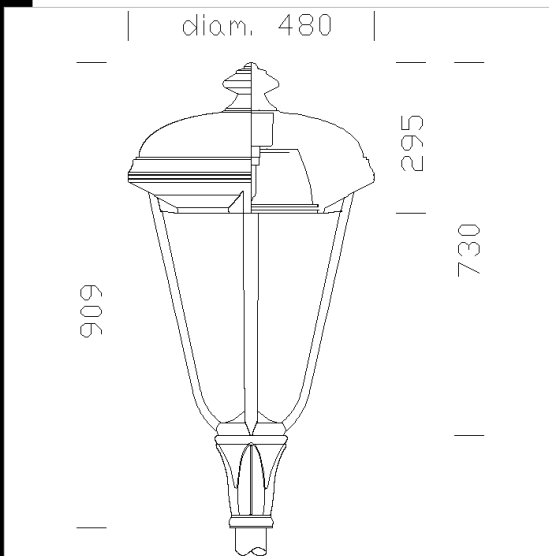


### 3210 Lucerna R1

Housing, lid, spokes, and connection for die-cast aluminium pressed poles.  
 Diffuseur: Tempered glass, 5 mm thick, withstands thermal shock and impacts  
 Reflector: in 99.85 turned aluminium, anodically oxidized and polished.  
 Coating: the standard liquid immersion coating consists of a first metal surface pre-treatment stage, a successive epoxy cathaphoresis corrosion and salt resistant coating, and a final layer of bi-component acrylic liquid UV-stabilised coating  
 Electric gear: Versions with electromechanical ballast. 230V/50hz power supply with thermal protection. Flexible cable terminated with admiralty brass clamps, double silicone insulation. 2P terminal block with maximum allowed lead cross section of 2.5 mm<sup>2</sup>.  
 Equipment: Nylon wiring plate, 30% fibre glass, removable, utensil-free, for quick maintenance. Standard knife switch, which enables to cut off the power supply automatically in case of maintenance. Socket-pin connector for quick connection to the line.  
 Supplied with knife switch, which enables to cut off the power supply automatically in case of maintenance.  
 Stainless steel screws. Steel slide-away hinge, 25/10 thickness, with safety brackets against the accidental closure of the lid.



**Download**

- DXF 2D  
- 3210.dxf
- 3DS  
- disano\_3210\_lucerna.3ds
- 3DM  
- disano\_3210\_lucerna.3dm
- Montaggi  
- LUCERNA classic.pdf  
- esempi lucerna ta.dxf

Code	Gear	Kg	Lumen-K-CRI	WTot	Base	Colour
326951-00	CNR-L	12.20	CDM-T 150-14000lm-3000K-Ra 1b	166 W	G12	ANTHRACITE
326950-00	CNR-L	11.25	CDM-T 70-6600lm-3000K-Ra 1b	82 W	G12	ANTHRACITE

**Accessories**



- 514 bracket for Lucerna



- 515 Arm attachment



- 516 lid



- 517 central connection

**Posts**



- 1498 Liberty Mast



- 1410 Pole with base



- 1411 pole to be sunk into the ground



- 1420 pole with base



- 1421 poles to be sunk into the ground



- 1477 Urban mast with base



- 1478 Urban to be sunk into the ground

The reported luminous flux is the flux emitted by the light source with a tolerance of ± 10% compared to the indicated value. The W tot column indicates the total wattage absorbed by the system without exceeding 10% of the indicated