



3205 Lucerna Q5 suspension lamp with glass

Housing, lid, spokes, and connection for die-cast aluminium pressed poles.
Diffuser: Tempered glass, 5 mm thick, withstands thermal shock and impacts
Reflector: in 99.85 turned aluminium, anodically oxidized and polished.

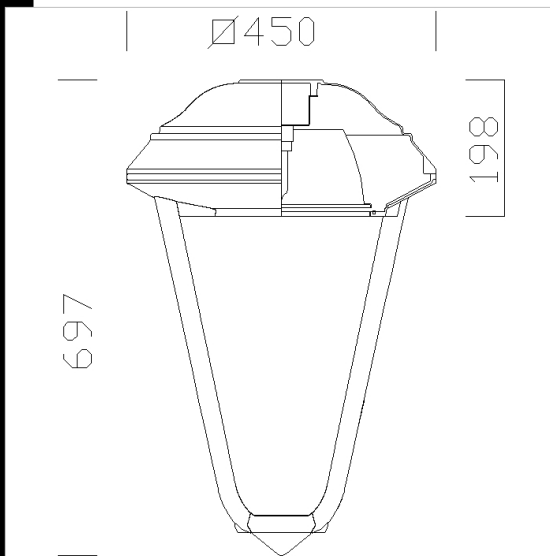
Coating: cycle de peinture liquide standard, par immersion, se compose de plusieurs phases : une première phase de prétraitement superficiel du métal, une couche de peinture cataphorèse résistante à la corrosion et au brouillard salin, une couche finale de peinture liquide acrylique bi-composante stabilisée aux rayons UV.

Electric gear: Versions with electromechanical ballast. 230V/50hz power supply with thermal protection. Flexible cable terminated with admiralty brass clamps, double silicone insulation. 2P terminal block with maximum allowed lead cross section of 2.5 mm².

Equipment: Nylon wiring plate, 30% fibre glass, removable, utensil-free, for quick maintenance. Standard knife switch, which enables to cut off the power supply automatically in case of maintenance. Socket-pin connector for quick connection to the line.

Supplied with knife switch, which enables to cut off the power supply automatically in case of maintenance.

Stainless steel screws. Steel slide-away hinge, 25/10 thickness, with safety brackets against the accidental closure of the lid.



Code	Gear	Kg	Lumen-K-CRI	WTot	Base	Colour
326945-00	CNR-L	12.65	CDM-T 70-6600lm-3000K-Ra 1b	82 W	G12	ANTHRACITE
326946-00	CNR-L	14.60	CDM-T 150-14000lm-3000K-Ra 1b	166 W	G12	ANTHRACITE

Accessories



- 329 suspension mounting



- 507 Liberty arm



- 518 ceiling mount with chain



- 519 ceiling mount with tiges

The reported luminous flux is the flux emitted by the light source with a tolerance of $\pm 10\%$ compared to the indicated value. The W tot column indicates the total wattage absorbed by the system without exceeding 10% of the indicated