

3204 Lucerna Q4 suspension lamp

Housing, lid, spokes, and connection for die-cast aluminium pressed poles.
Diffuseur: In shatterproof and self-extinguishing V2 polycarbonate, UV-stabilized, frosted inside for higher dazzle control.

Reflector: in 99.85 turned aluminium, anodically oxidized and polished.

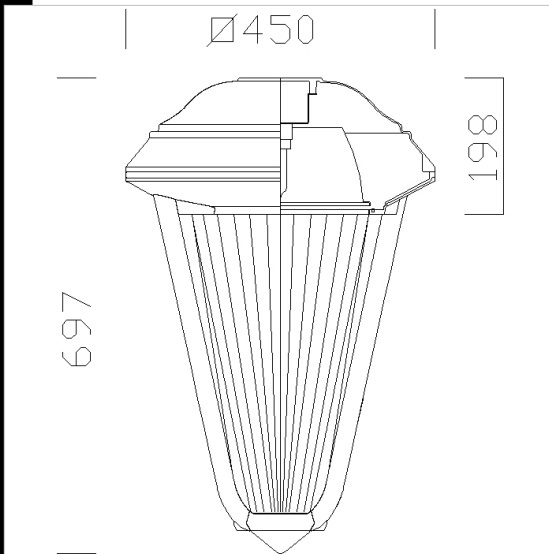
Coating: In different stages. Grey epoxy cationic electrocoating, resistant to corrosive and saline environments. UV stabilized priming using anthracite grey acrylic resin.

Electric gear: Versions with electromechanical ballast. 230V/50hz power supply with thermal protection. Flexible cable terminated with admiralty brass clamps, double silicone insulation. 2P terminal block with maximum allowed lead cross section of 2.5 mm².

Equipment: Nylon wiring plate, 30% fibre glass, removable, utensil-free, for quick maintenance. Standard knife switch, which enables to cut off the power supply automatically in case of maintenance. Socket-pin connector for quick connection to the line.

Supplied with knife switch, which enables to cut off the power supply automatically in case of maintenance.

Stainless steel screws. Steel slide-away hinge, 25/10 thickness, with safety brackets against the accidental closure of the lid.



Download

- DXF 2D
- 3204.dxf
- 3DS
- disano_3204_lucerna.3ds
- 3DM
- disano_3204_lucerna.3dm
- Montaggi
- lucerna_q-r.pdf

Code	Gear	Kg	Watt	Base	Lamps	Colour
326941-00	CNR-L	11,60	CDM-T 150	G12	14000lm-3000K-Ra 1b	ANTHRACITE
326942-00	CNR-L	10,65	JM-E 70	E27	6400lm-3200K-Ra 1b	ANTHRACITE
326943-00	CNR-L	11,60	JM-E 150	E27	13300lm-3200K-Ra 1b	ANTHRACITE
326944-00	CELL	9,00	FLC 70T/E	Gx24q-6	5200lm-2700K-Ra 1b	ANTHRACITE
326940-00	CNR-L	10,65	CDM-T 70	G12	6600lm-3000K-Ra 1b	ANTHRACITE

Accessories



- 329 suspension mounting



- 507 Liberty arm



- 518 ceiling mount with chain



- 519 ceiling mount with tiges