



3204 Lucerna Q4 suspension lamp

Housing, lid, spokes, and connection for die-cast aluminium pressed poles.
Diffuseur: In shatterproof and self-extinguishing V2 polycarbonate, UV-stabilized, frosted inside for higher dazzle control.

Reflector: in 99.85 turned aluminium, anodically oxidized and polished.

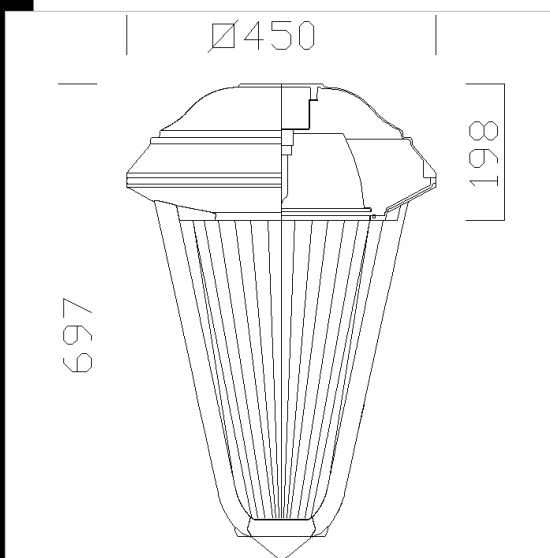
Coating: the standard liquid immersion coating consists of a first metal surface pre-treatment stage, a successive epoxy cataphoresis corrosion and salt resistant coating, and a final layer of bi-component acrylic liquid UV-stabilised coating.

Electric gear: Versions with electromechanical ballast. 230V/50hz power supply with thermal protection. Flexible cable terminated with admiralty brass clamps, double silicone insulation. 2P terminal block with maximum allowed lead cross section of 2.5 mm².

Equipment: Nylon wiring plate, 30% fibre glass, removable, utensil-free, for quick maintenance. Standard knife switch, which enables to cut off the power supply automatically in case of maintenance. Socket-pin connector for quick connection to the line.

Supplied with knife switch, which enables to cut off the power supply automatically in case of maintenance.

Stainless steel screws. Steel slide-away hinge, 25/10 thickness, with safety brackets against the accidental closure of the lid.



Download

- DXF 2D
- 3204.dxf
- 3DS
- disano_3204_lucerna.3ds
- 3DM
- disano_3204_lucerna.3dm
- Montaggi
- LUCERNA classic.pdf

Code	Gear	Kg	Lumen-K-CRI	WTot	Base	Colour
326942-00	CNR-L	10.65	JM-E 70-5600lm-3200K-Ra 1b	82 W	E27	ANTHRACITE
326940-00	CNR-L	10.65	CDM-T 70-6600lm-3000K-Ra 1b	82 W	G12	ANTHRACITE
326943-00	CNR-L	11.60	JM-E 150-13300lm-3200K-Ra 1b	166 W	E27	ANTHRACITE
326941-00	CNR-L	11.60	CDM-T 150-14000lm-3000K-Ra 1b	166 W	G12	ANTHRACITE

Accessories



- 329 suspension mounting



- 507 Liberty arm



- 518 ceiling mount with chain



- 519 ceiling mount with tiges

The reported luminous flux is the flux emitted by the light source with a tolerance of $\pm 10\%$ compared to the indicated value. The W tot column indicates the total wattage absorbed by the system without exceeding 10% of the indicated