

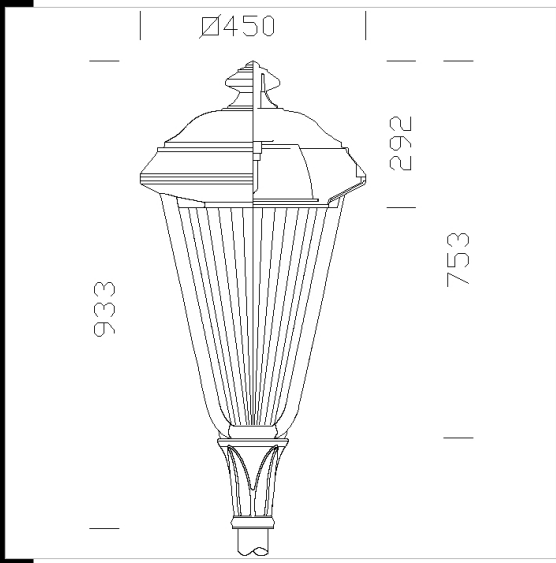


**Download**  
DXF 2D  
- 3203.dxf  
3DS  
- disano\_3203\_lucerna.3ds  
3DM  
- disano\_3203\_lucerna.3dm  
Montaggi  
- lucerna\_q-r.pdf  
- esempi lucerna ta.dxf



**3203 Lucerna Q3 with diffuser**

Housing, lid, spokes, and connection for die-cast aluminium pressed poles.  
Diffuseur: In shatterproof and self-extinguishing V2 polycarbonate, UV-stabilized, frosted inside for higher dazzle control.  
Reflector: in 99.85 turned aluminium, anodically oxidized and polished.  
Coating: In different stages. Grey epoxy cationic electrocoating, resistant to corrosive and saline environments. UV stabilized priming using anthracite grey acrylic resin.  
Electric gear: Versions with electromechanical ballast. 230V/50hz power supply with thermal protection. Flexible cable terminated with admiralty brass clamps, double silicone insulation. 2P terminal block with maximum allowed lead cross section of 2.5 mm<sup>2</sup>.  
Equipment: Nylon wiring plate, 30% fibre glass, removable, utensil-free, for quick maintenance. Standard knife switch, which enables to cut off the power supply automatically in case of maintenance. Socket-pin connector for quick connection to the line.  
Supplied with knife switch, which enables to cut off the power supply automatically in case of maintenance.  
Stainless steel screws. Steel slide-away hinge, 25/10 thickness, with safety brackets against the accidental closure of the lid.



Code	Gear	Kg	Watt	Base	Lamps	Colour
326932-00	CNR-L	12,65	JM-E 70	E27	6400lm-3200K-Ra 1b	ANTHRACITE
326933-00	CNR-L	13,60	JM-E 150	E27	13300lm-3200K-Ra 1b	ANTHRACITE
326934-00	CELL	10,60	FLC 70T/E	Gx24q-6	5200lm-2700K-Ra 1b	ANTHRACITE
326930-00	CNR-L	12,65	CDM-T 70	G12	6600lm-3000K-Ra 1b	ANTHRACITE
326931-00	CNR-L	13,60	CDM-T 150	G12	14000lm-3000K-Ra 1b	ANTHRACITE

**Accessories**



**Posts**

