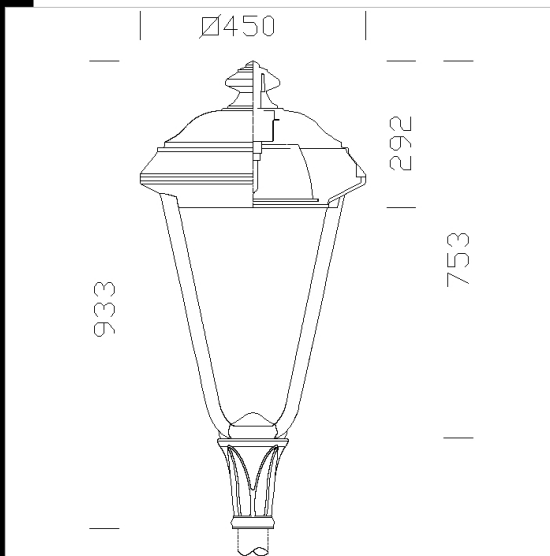


3200 Lucerna Q1

Housing, lid, spokes, and connection for die-cast aluminium pressed poles.
 Diffuseur: Tempered glass, 5 mm thick, withstands thermal shock and impacts
 Reflector: in 99.85 turned aluminium, anodically oxidized and polished.
 Coating: the standard liquid immersion coating consists of a first metal surface pre-treatment stage, a successive epoxy cataphoresis corrosion and salt resistant coating, and a final layer of bi-component acrylic liquid UV-stabilised coating.
 Electric gear: Versions with electromechanical ballast. 230V/50hz power supply with thermal protection. Flexible cable terminated with admiralty brass clamps, double silicone insulation. 2P terminal block with maximum allowed lead cross section of 2.5 mm².
 Equipment: Nylon wiring plate, 30% fibre glass, removable, utensil-free, for quick maintenance. Standard knife switch, which enables to cut off the power supply automatically in case of maintenance. Socket-pin connector for quick connection to the line.
 Supplied with knife switch, which enables to cut off the power supply automatically in case of maintenance.
 Stainless steel screws. Steel slide-away hinge, 25/10 thickness, with safety brackets against the accidental closure of the lid.



- Download**
 DXF 2D
 - 3200.dxf
 3DS
 - disano_3200_lucerna.3ds
 3DM
 - disano_3200_lucerna.3dm
Montaggi
 - LUCERNA classic.pdf
 - esempi lucerna ta.dxf

Code	Gear	Kg	Lumen-K-CRI	WTot	Base	Colour
326900-00	CNR-L	12,45	CDM-T 70-6700lm-3000K-Ra 1b	82 W	G12	ANTRACITE
326901-00	CNR-L	13,76	CDM-T 150-13000lm-3000K-Ra 1b	166 W	G12	ANTRACITE

Accessori



- 514 bracket for Lucerna



- 515 Arm attachment



- 516 lid

Pali



- 1498 Liberty Mast



- 1410 Pole with base



- 1411 pole to be sunk into the ground



- 1420 pole with base



- 1421 poles to be sunk into the ground



- 1477 Urban mast with base



- 1478 Urban to be sunk into the ground

The reported luminous flux is the flux emitted by the light source with a tolerance of ± 10% compared to the indicated value. The W tot column indicates the total wattage absorbed by the system without exceeding 10% of the indicated