

3182 Sforza Ø500 - pedestrian crossings left

Urban elegance often rhymes with simplicity. A need is felt for simple and easily recognizable shapes in an urban landscape increasingly crowded with stimuli and confused signals.

Sforza conveys a sense of peace and reliability, which is just what a good urban lighting project requires.

Housing/Frame: in die-cast aluminium. Fitted with aluminium support bracket (pole connection Ø60).

Diffuser: tempered glass, 5 mm thick, thermal shock and impact resistant (UNI EN 12150 tests - 1/2001).

Reflector: asymmetric non-polluting louvre, in pressed aluminium 99.85, anodically oxidized, 3 mm thick, polished.

Electric gear: 230V/50Hz power supply and thermal protection. Flexible wire terminated with quick connection admiralty brass clamps.

2P terminal block, maximum allowed lead cross section 2.5 mm².

Coating: the standard liquid immersion coating consists of a first metal surface pre-treatment stage, a successive epoxy cataphoresis corrosion and salt resistant coating, and a final layer of bi-component acrylic liquid UV-stabilised coating.

Standard supply: in case of maintenance, the frame remains suspended by way of brackets once opened.

Standard knife switch and quick connector for connection to the line.

Wiring on removable tray for easy maintenance.

Special version ideal for pedestrians cross. Use the correct version based on the position in relation to pedestrian crossing

Regulations: Produced according to applicable EN60598-1CEI 34-21 standards, degree of protection according to EN 60529 standards.

Wind surface: L:1000cm².

Download

DXF 2D

- 3182sx.dxf

3DS

- disano_3182_sforza.3ds

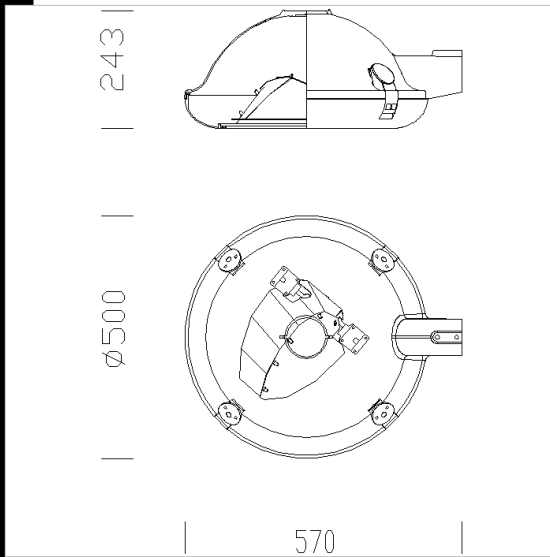
3DM

- disano_3182_sforza.3dm

Montaggi

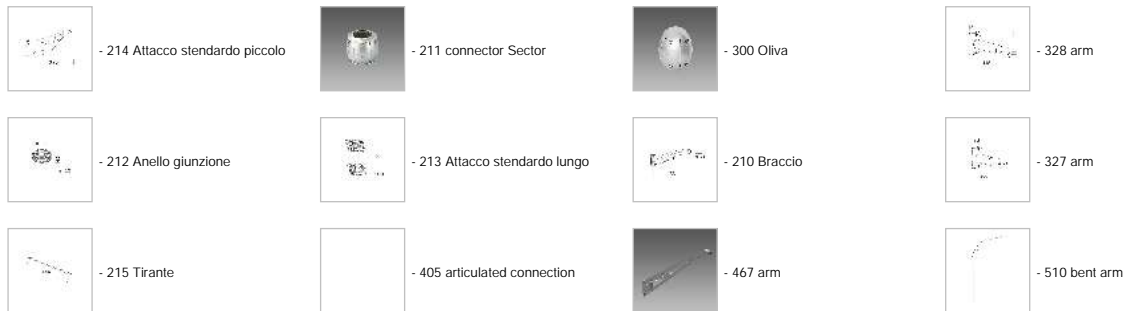
- 3184-5-7-9-90-sforza.pdf

- installazione_sforza_pedonale.dxf



Code	Gear	Kg	Lumen-K-CRI	WTot	Base	Colour
326883-00	CNR-L	12.08	JM-TS 250-22000lm-3200K-Ra 1b	276 W	FC2	GREY9007/GRAF
326882-00	CNR-L	12.00	SAP-TS 250-25500lm-2000K-Ra 4	276 W	Rx7s	GREY9007/GRAF
326881-00	CNR-L	11.00	CDM-TS 150-13250lm-3000K-Ra 1b	161 W	Rx7s	GREY9007/GRAF
326880-00	CNR-L	11.00	SAP-TS 150-15000lm-2000K-Ra 4	166 W	Rx7s	GREY9007/GRAF

Accessories



The reported luminous flux is the flux emitted by the light source with a tolerance of ± 10% compared to the indicated value. The W tot column indicates the total wattage absorbed by the system without exceeding 10% of the indicated