

3183 Sforza Ø500

Urban elegance often rhymes with simplicity. A need is felt for simple and easily recognizable shapes in an urban landscape increasingly crowded with stimuli and confused signals.

Sforza conveys a sense of peace and reliability, which is just what a good urban lighting project requires. (also indoor version)

Housing/Frame: in die-cast aluminium. With provision for central connection.

Diffuser: tempered glass, 5 mm thick, thermal shock and impact resistant (UNI EN 12150 tests .- 1/2001).

Reflector: non-polluting louvre, in pressed aluminium 99.85, anodically oxidized, 3 mm thick, polished.

Electric gear: 230V/50Hz power supply and thermal protection. Flexible wire terminated with quick connection admiralty brass clamps.

2P terminal block, maximum allowed lead cross section 2.5 mm².

Coating: the standard liquid immersion coating consists of a first metal surface pre-treatment stage, a successive epoxy cataphoresis corrosion and salt resistant coating, and a final layer of bi-component acrylic liquid UV-stabilised coating.

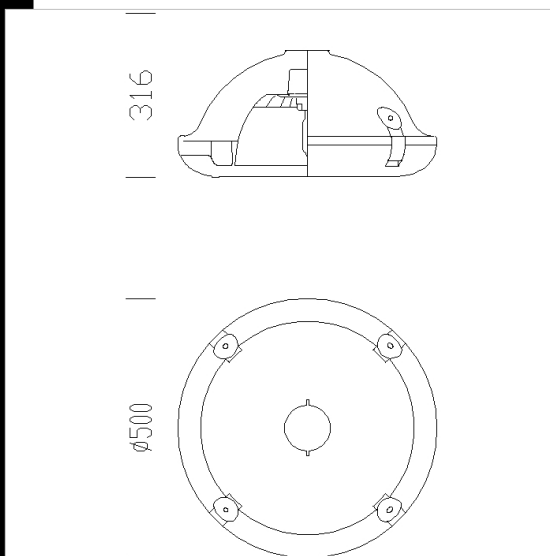
Standard supply: in case of maintenance, the frame remains suspended by way of brackets once opened.

Standard knife switch and quick connector for connection to the line.

Wiring on removable tray for easy maintenance. Available in the dual power version, with remote control installation.

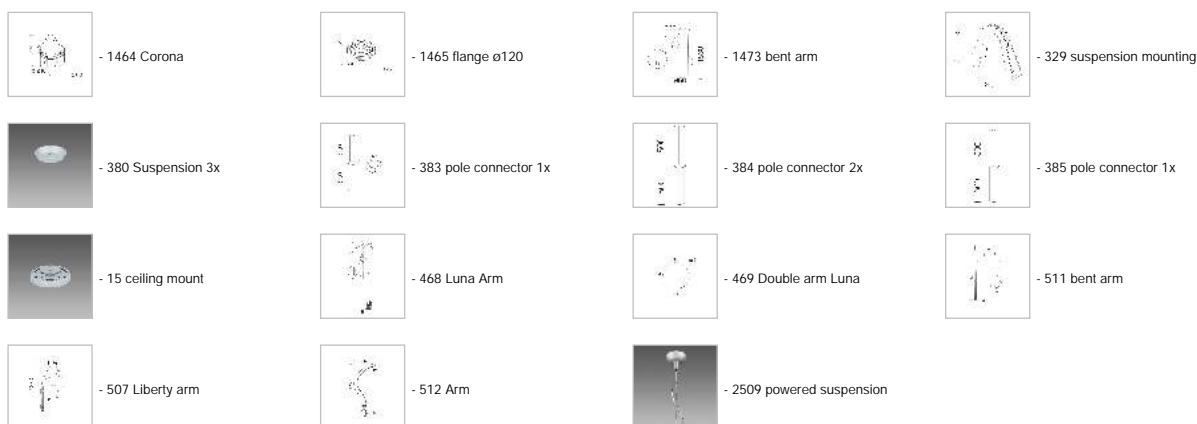
Regulations: Produced according to applicable EN60598-1CEI 34-21 standards, degree of protection according to EN 60529 standards.

Wind surface: L:1000cm².



Code	Gear	Kg	Lumen-K-CRI	WTot	Base	Colour
326871-00	CNR-L	10.60	CDM-T 150-14000lm-3000K-Ra 1b	166 W	G12	GREY9007/GRAF
326870-00	CNR-L	10.60	CDM-T 70-6600lm-3000K-Ra 1b	82 W	G12	GREY9007/GRAF

Accessories



The reported luminous flux is the flux emitted by the light source with a tolerance of ± 10% compared to the indicated value. The W tot column indicates the total wattage absorbed by the system without exceeding 10% of the indicated