

3187 Sforza Ø600

Urban elegance often rhymes with simplicity. A need is felt for simple and easily recognizable shapes in an urban landscape increasingly crowded with stimuli and confused signals.

Sforza conveys a sense of peace and reliability, which is just what a good urban lighting project requires.

Housing/Frame: in die-cast aluminium. Fitted with aluminium support bracket (pole connection Ø60).

Diffuser: tempered glass, 5 mm thick, thermal shock and impact resistant (UNI EN 12150 tests - 1/2001).

Reflector: non-polluting louvre, in pressed aluminium 99.85, anodically oxidized, 3 mm thick, polished.

Electric gear: 230V/50Hz power supply and thermal protection. Flexible wire terminated with quick connection admiralty brass clamps.

2P terminal block, maximum allowed lead cross section 2.5 mm².

Coating: in different stages. By epoxy cationic electrocoating, resistant to corrosion and saline environments. Second coating using sand-blasted silver coloured and graphite grey acrylic resin, green, UV stabilized. Additional colours are available upon request.

Standard supply: in case of maintenance, the frame remains suspended by way of brackets once opened.

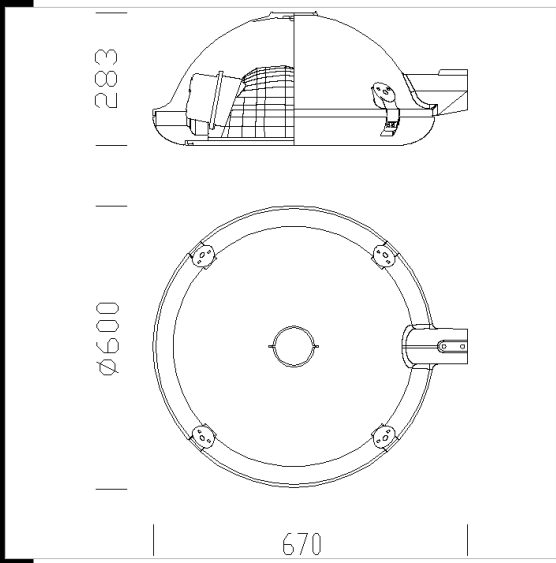
Standard knife switch and quick connector for connection to the line. Wiring on removable tray for easy maintenance.

Available in the dual power version, with remote control installation.

Regulations: Produced according to applicable EN60598-1/CEI 34-21 standards, degree of protection according to EN 60529 standards.

Download

- DXF 2D
- 3187.dxf
- 3DS
- disano_3187_sforza.3ds
- 3DM
- disano_3187_sforza.3dm
- Montaggi
- 3184-5-7-9-90-sforza.pdf



Code	Gear	Kg	Watt	Base	Lamps	Colour
326822-00	CNR-L	14,66	SAP-T 400	E40	56000lm-2000K-Ra 4	SILVER/GRAPHITE
326824-00	CNR-L	14,66	CDO-TT 400 CMH	E40	42000lm-3000K-Ra 1b	SILVER/GRAPHITE
326820-00	CNR-L	13,01	SAP-T 150	E40	17200lm-2000K-Ra 4	SILVER/GRAPHITE
326821-00	CNR-L	14,66	SAP-T 250	E40	33000lm-2000 K-Ra 4	SILVER/GRAPHITE
326823-00	CNR-L	14,48	CDO-TT 250	E40	22500lm-2800K-Ra 1a	SILVER/GRAPHITE

Accessories

