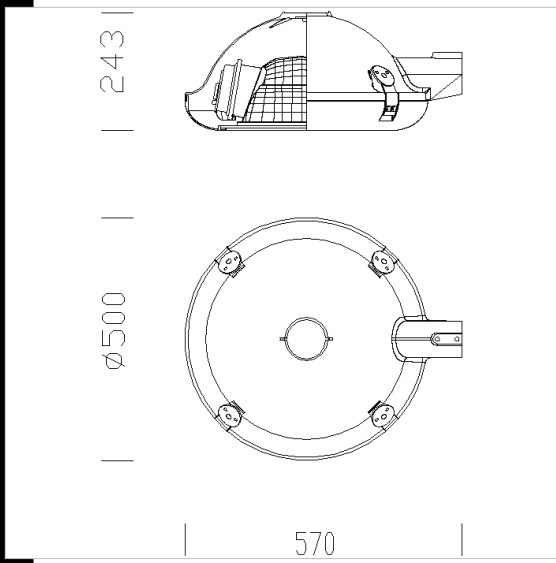


3185 Sforza Ø500

Urban elegance often rhymes with simplicity. A need is felt for simple and easily recognizable shapes in an urban landscape increasingly crowded with stimuli and confused signals. Sforza conveys a sense of peace and reliability, which is just what a good urban lighting project requires. Housing/Frame: in die-cast aluminium. Fitted with aluminium support bracket (pole connection $\varnothing 60$). Diffuser: tempered glass, 5 mm thick, thermal shock and impact resistant (UNI EN 12150 tests - 1/2001). Reflector: non-polluting louvre, in pressed aluminium 99.85, anodically oxidized, 3 mm thick, polished. Electric gear: 230V/50Hz power supply and thermal protection. Flexible wire terminated with quick connection admiralty brass clamps. 2P terminal block, maximum allowed lead cross section 2.5 mm². Coating: in different stages. By epoxy cationic electrocoating, resistant to corrosion and saline environments. Second coating using sand-blasted silver coloured and graphite grey acrylic resin, green, UV stabilized. Additional colours are available upon request. Standard supply: in case of maintenance, the frame remains suspended by way of brackets once opened. Standard knife switch and quick connector to the line. Wiring on removable tray for easy maintenance. Available in the dual power version, with remote control installation. Regulations: Produced according to applicable EN60598-1CEI 34-21 standards, degree of protection according to EN 60529 standards.

IP66

- Download**
DXF 2D
- 3185.dxf
3DS
- disano_3185_sforza.3ds
3DM
- disano_3185_sforza.3dm
Montaggi
- 3184-5-7-9-90-sforza.pdf



Code	Gear	Kg	Watt	Base	Lamps	Colour
326806-00	CELL	9,00	CPO-TW 60	PGZ12	6850lm-2800K-Ra 2a	SILVER/GRAPHITE
326804-00	CNR-L	10,00	CDO-TT 100	E40	8800lm-2800K-Ra 1a	SILVER/GRAPHITE
326802-00	CNR-L	10,00	SAP-T 150	E40	17200lm-2000K-Ra 4	SILVER/GRAPHITE
326807-00	CELL	9,00	CPO-TW 90	PGZ12	10450lm-2800K-Ra 2a	SILVER/GRAPHITE
326803-00	CNR-L	9,50	CDO-TT 70	E27	6300lm-2800K-Ra 1a	SILVER/GRAPHITE
326808-00	CELL	9,00	CPO-TW 140	PGZ12	16500lm-2800K-Ra 2a	SILVER/GRAPHITE
326801-00	CNR-L	10,00	SAP-T 100	E40	9000lm-2000K-Ra 4	SILVER/GRAPHITE
326805-00	CNR-L	10,00	CDO-TT 150	E40	13500lm-2800K-Ra 1b	SILVER/GRAPHITE
326800-00	CNR-L	9,50	SAP-T 70	E27	6000lm-2000K-Ra 4	SILVER/GRAPHITE

Accessories

