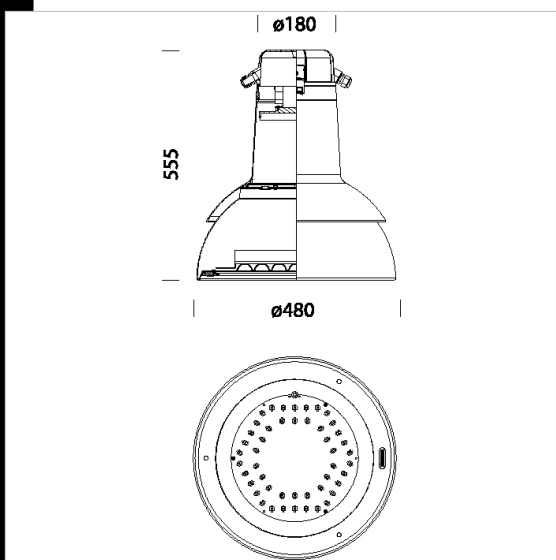


### 3141 Campana LED

Housing/Frame: in die-cast aluminium with latch.  
 Diffuser: tempered glass, 4 mm thick, thermal shock and impact resistant (UNI EN 12150-1/2001 tests).  
 Coating: the standard liquid immersion coating consists of a first metal surface pre-treatment stage, a successive epoxy cataphoresis corrosion and salt resistant coating, and a final layer of bi-component acrylic liquid UV-stabilised coating. Reflector, ceramic white.  
 Equipment: temperature control device inside the lamp with automatic recovery. Safety diode to protect against voltage peaks pursuant to EN61547. Dedicated electronic device to protect the LED module. Standard knife switch.  
 The total return of the equipment is close to 100%. Each LED module is equipped with a lens with high efficiency 130°x70° lenses  
 LED: Latest generation LED technology, Ta-30+40°C life 80%: 80.000h (L80B20).  
 Regulations: Produced according to applicable EN60598-1 CEI 34-21 standards, degree of protection according to EN 60529 standards.

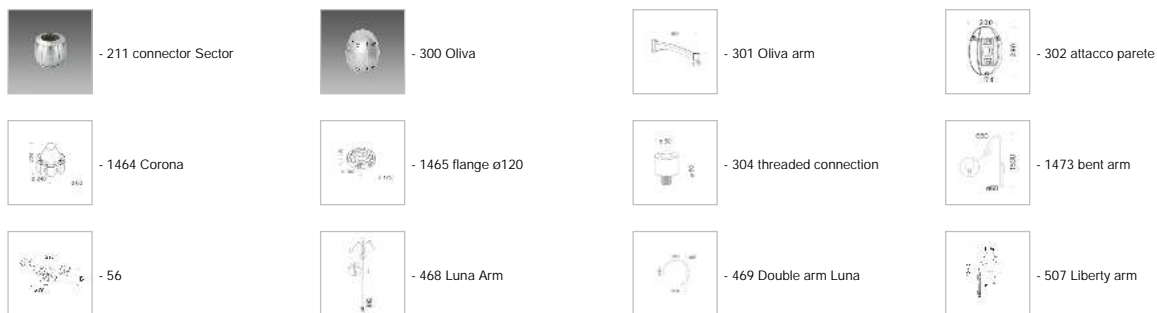
#### Download

- DXF 2D  
- 3141.dxf
- 3DS  
- disano\_3141\_campana.3ds
- 3DM  
- disano\_3141\_campana.3dm
- Montaggi  
- 3141\_3142\_campana.pdf

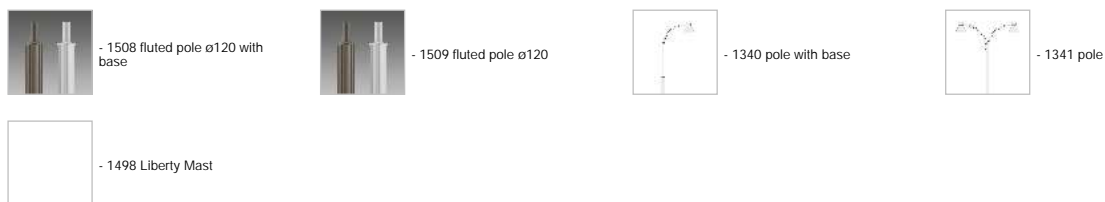


Code	Gear	Kg	Lumen Output-K-CRI	WTot	Colour
326780-00	CLD CELL	8.30	LED-8212lm-530mA-4000K-CRI>70	68 W	GRAFITE/BIANCO

#### Accessories



#### Posts



The reported luminous flux is the flux emitted by the light source with a tolerance of ± 10% compared to the indicated value. The W tot column indicates the total wattage absorbed by the system without exceeding 10% of the indicated