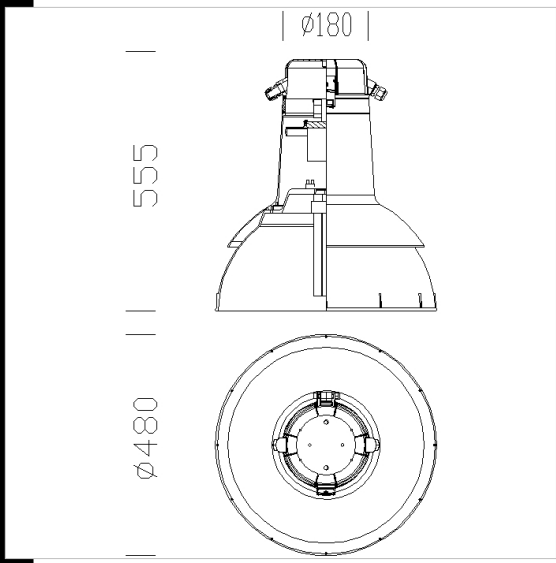


**Download**  
 DXF 2D  
 - 3139.dxf  
 3DS  
 - disano\_3139\_campana.3ds  
 3DM  
 - disano\_3139\_campana.3dm  
 Montaggi  
 - campana.pdf



**3139 Campana - printed reflector**

Housing/Frame: in die-cast aluminium with latch.  
 Reflector: vandal resistant polycarbonate  
 Diffuser: tempered glass, 4 mm thick, thermal shock and impact resistant (UNI EN 12150-1/2001 tests).  
 Coating: powder coating with polyester based resin, colour graphite. Resistant to corrosive and saline environments. Reflector, ceramic white.  
 Electric gear: 230V/50 Hz power supply. Flexible double insulation silicone wire, terminated with admiralty brass clamps. 2P terminal block with maximum allowed lead cross section of 2.5 sq mm.  
 Regulations: Produced according to applicable EN60598-1CEI 34-21 standards, degree of protection according to EN 60529 standards.



Code	Gear	Kg	Watt	Base	Lamps	Colour
326740-00	CELL	8,30	FLC 1x85P/E	2G8	6000lm-4000k-Ra 1b	GRAPHITE/WHITE
326741-00	CNR-L	8,30	HCI-E/P 150	E27	14200lm-3000K-Ra 1b	GRAPHITE/WHITE

**Accessories**



- 2509 powered suspension