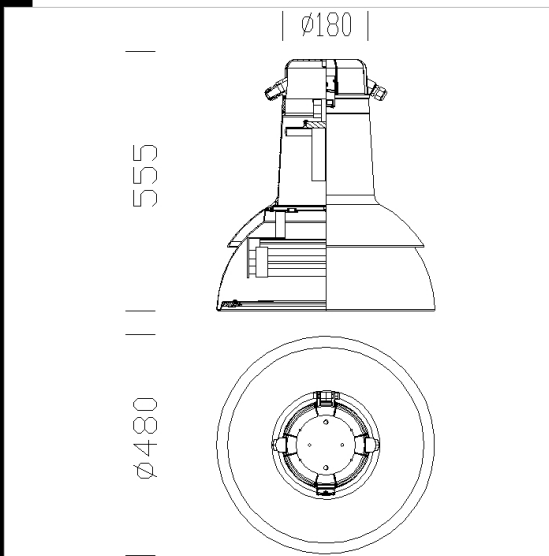


3138 Campana



Housing/Frame: in die-cast aluminium with latch.
 Reflector: anodically oxidized and polished.
 Diffuser: tempered glass, 4 mm thick, thermal shock and impact resistant (UNI EN 12150-1/2001 tests).
 Coating: powder coating with polyester based resin, colour graphite. Resistant to corrosive and saline environments. Reflector, ceramic white.
 Electric gear: 230V/50 Hz power supply. Flexible double insulation silicone wire, terminated with admiralty brass clamps. 2P terminal block with maximum allowed lead cross section of 2.5 sq mm.
 Equipment: standard knife switch. Power supply can be cut off in case of maintenance (only for art. 3136).
 Regulations: Produced according to applicable EN60598-1CEI 34-21 standards, degree of protection according to EN 60529 standards.



Code	Gear	Kg	Watt	Base	Lamps	Colour
326723-00	CELL	8,30	FLC 120P/E	2G8	9000lm-4000k-Ra 1b	GRAPHITE/WHITE

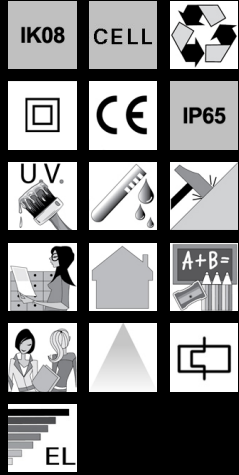
Accessories



- 329 suspension mounting



- 56



Download

- DXF 2D
- 3138.dxf
- 3DS
- disano_3138_campana.3ds
- 3DM
- disano_3138_campana.3dm
- Montaggi
- campana.pdf