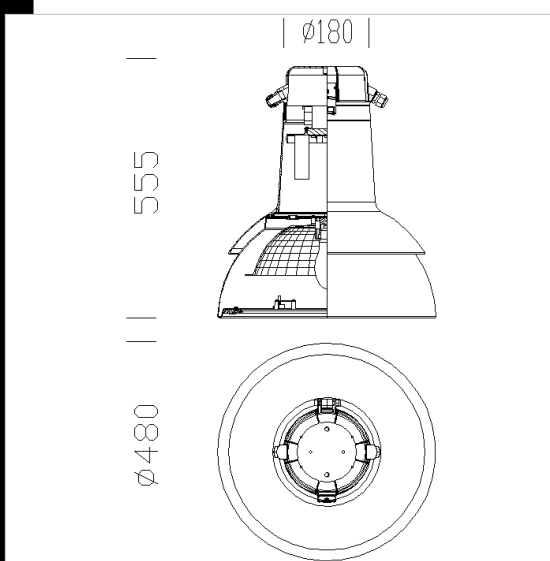


3136 Campana - Wide beam

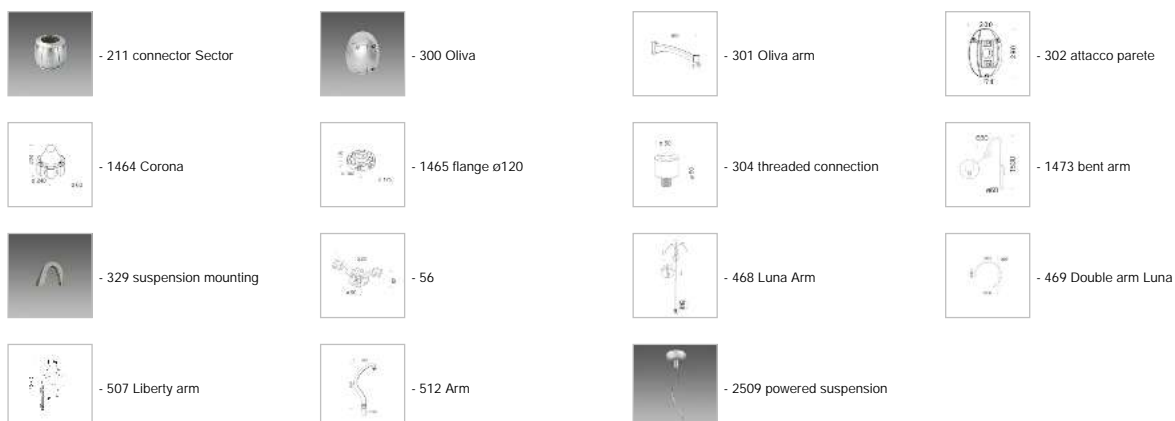


Housing/Frame: in die-cast aluminium with latch.
 Reflector: anodically oxidized and polished.
 Diffuser: tempered glass, 4 mm thick, thermal shock and impact resistant (UNI EN 12150-1/2001 tests).
 Coating: powder coating with polyester based resin, colour graphite. Resistant to corrosive and saline environments. Reflector, ceramic white.
 Electric gear: 230V/50 Hz power supply. Flexible double insulation silicone wire, terminated with admiralty brass clamps. 2P terminal block with maximum allowed lead cross section of 2.5 sq mm.
 Equipment: standard knife switch. Power supply can be cut off in case of maintenance (only for art. 3136).
 Regulations: Produced according to applicable EN60598-1CEI 34-21 standards, degree of protection according to EN 60529 standards.



Code	Gear	Kg	Watt	Base	Lamps	Colour
326721-00	CNR-L	9,30	CDM-T 150	G12	12700lm-4200k-Ra 2a	GRAPHITE/WHITE

Accessori



Download
 DXF 2D
 - 3136.dxf
 3DS
 - disano_3136_campana.3ds
 3DM
 - disano_3136_campana.3dm
 Montaggi
 - campana.pdf