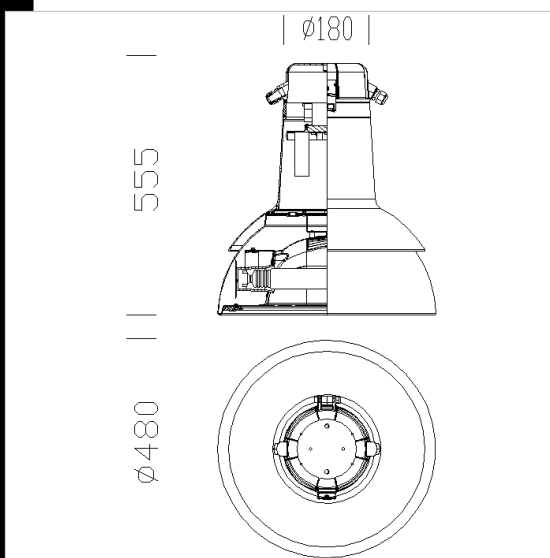


3135 Campana

Housing/Frame: in die-cast aluminium with latch.
 Reflector: anodically oxidized and polished.
 Diffuser: tempered glass, 4 mm thick, thermal shock and impact resistant (UNI EN 12150-1/2001 tests).
 Coating: powder coating with polyester based resin, colour graphite. Resistant to corrosive and saline environments. Reflector, ceramic white.
 Electric gear: 230V/50 Hz power supply. Flexible double insulation silicone wire, terminated with admiralty brass clamps. 2P terminal block with maximum allowed lead cross section of 2.5 sq mm.
 Equipment: standard knife switch. Power supply can be cut off in case of maintenance.
 Regulations: Produced according to applicable EN60598-1CEI 34-21 standards, degree of protection according to EN 60529 standards.

Download

- DXF 2D
- 3135.dxf
- 3DS
- disano_3135_campana.3ds
- 3DM
- disano_3135_campana.3dm



Code	Gear	Kg	Lumen-K-CRI	WTot	Base	Colour
326710-00	CNR-L	9.30	SAP-T 150-17200lm-2000K-Ra 4	166 W	E40	GRAPHITE/WHITE
326711-00	CNR-L	9.30	SAP-T 250-33000lm-2000 K-Ra 4	166 W	E40	GRAPHITE/WHITE
326712-00	CNR-L	10.66	JM-E 150-13300lm-3200K-Ra 1b	277 W	E27	GRAPHITE/WHITE
326713-00	CNR-L	9.30	CDO-TT 150-13500lm-2800K-Ra 1b	166 W	E40	GRAPHITE/WHITE

Accessories



The reported luminous flux is the flux emitted by the light source with a tolerance of ± 10% compared to the indicated value. The W tot column indicates the total wattage absorbed by the system without exceeding 10% of the indicated