

### 3181 Montecarlo 2 - asymmetric

Housing/Frame: in die-cast aluminium. With aluminium bracket (pole connection  $\varnothing 60$ ).

Diffuser: tempered glass, 5 mm thick, thermal shock and impact resistant (UNI EN 12150-1/2001 tests).

Reflector: NON-POLLUTING LOUVRE in pressed aluminium polished.

Coating: the standard liquid immersion coating consists of a first metal surface pre-treatment stage, a successive epoxy cataphoresis corrosion and salt resistant coating, and a final layer of bi-component acrylic liquid UV-stabilised coating.

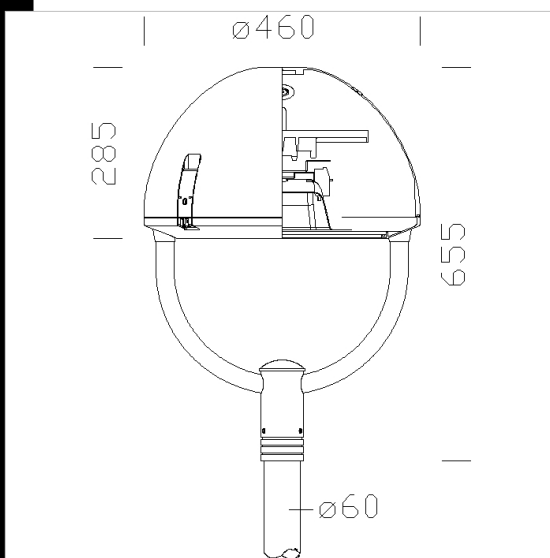
Standard supply: in case of maintenance, the upper housing remains open through brackets that prevent accidental closing.

Standard knife switch and quick connector for electrical connection.

Double power version: the products come with remote control installation and power adaptor and can be ordered using sub code -3078. Products fitted with remote control installation only can be ordered using sub code -0078.

Upon request: coloured versions, surcharge applicable.

Regulations: Produced according to applicable EN60598-1CEI 34-21 standards, degree of protection according to EN 60529 standards.



#### Download

DXF 2D  
- 3181i.dxf

3DS  
- disano\_3181\_montecarlo.3ds

3DM  
- disano\_3181\_montecarlo.3dm

Montaggi  
- montecarlo\_forcella.pdf

Code	Gear	Kg	Lumen-K-CRI	WTot	Base	Colour
326671-00	CNR-L	11.00	SAP-TS 150-15000lm-2000K-Ra 4	166 W	Rx7s	GREY9007/GRAF
326672-00	CNR-L	10.85	JM-TS 70-5700lm-4000k-Ra 1b	91 W	Rx7s	GREY9007/GRAF
326673-00	CNR-L	11.00	JM-TS 150-12000lm-4000K-Ra 1b	166 W	Rx7s	GREY9007/GRAF
326670-00	CNR-L	10.35	SAP-TS 70-6800lm-2000K-Ra 4	82 W	Rx7s	GREY9007/GRAF

The reported luminous flux is the flux emitted by the light source with a tolerance of  $\pm 10\%$  compared to the indicated value. The W tot column indicates the total wattage absorbed by the system without exceeding 10% of the indicated