



### 3180 Montecarlo 1 - wide beam

Urban space is an asset. This is the reason why landscaping is getting increasingly accurate and differentiated in parks and gardens. Fountains, benches and lamps mark the boundaries of car and frenzy-free zones

Housing/Frame: in die-cast aluminium. With aluminium bracket (pole connection  $\varnothing 60$ ).

Diffuser: tempered glass, 5 mm thick, thermal shock and impact resistant (UNI EN 12150-1/2001 tests).

Coating: the standard liquid immersion coating consists of a first metal surface pre-treatment stage, a successive epoxy cataphoresis corrosion and salt resistant coating, and a final layer of bi-component acrylic liquid UV-stabilised coating.

Standard supply: in case of maintenance, the upper housing remains open through brackets that prevent accidental closing.

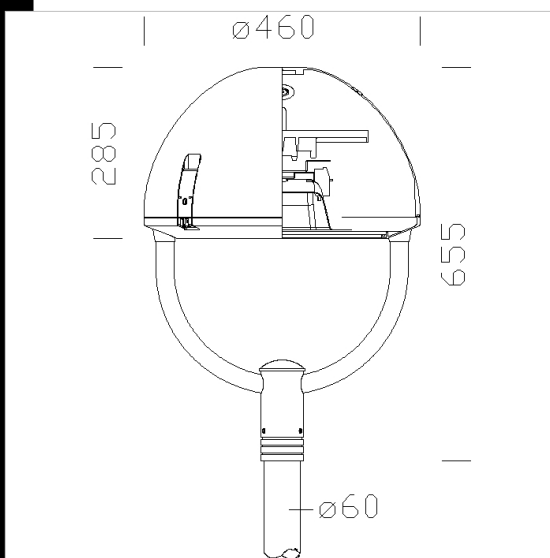
Standard knife switch and quick connector for electrical connection.

Double power version: the products come with remote control installation and power adaptor and can be ordered using sub code -3078. Products fitted with remote control installation only can be ordered using sub code -0078.

Upon request: coloured versions, surcharge applicable.

Reflector: NON-POLLUTING LOUVRE in pressed 99.85 aluminium, anodically oxidized and polished.

Regulations: Produced according to applicable EN60598-1CEI 34-21 standards, degree of protection according to EN 60529 standards.



#### Download

DXF 2D  
- 3181i.dxf

3DS  
- disano\_3180\_montecarlo.3ds

3DM  
- disano\_3180\_montecarlo.3dm

Montaggi  
- montecarlo\_forcella.pdf

| Code      | Gear  | Kg    | Lumen-K-CRI                    | WTot  | Base | Colour        |
|-----------|-------|-------|--------------------------------|-------|------|---------------|
| 326667-00 | CNR-L | 11.00 | CDO-TT 150-13500lm-2800K-Ra 1b | 166 W | E40  | GREY9007/GRAF |
| 326666-00 | CNR-L | 11.00 | SAP-T 150-17200lm-2000K-Ra 4   | 166 W | E40  | GREY9007/GRAF |
| 326665-00 | CNR-L | 9.91  | CDO-TT 70-6300lm-2800K-Ra 1b   | 82 W  | E27  | GREY9007/GRAF |
| 326664-00 | CNR-L | 9.91  | SAP-T 70-6000lm-2000K-Ra 4     | 83 W  | E27  | GREY9007/GRAF |

The reported luminous flux is the flux emitted by the light source with a tolerance of  $\pm 10\%$  compared to the indicated value. The W tot column indicates the total wattage absorbed by the system without exceeding 10% of the indicated