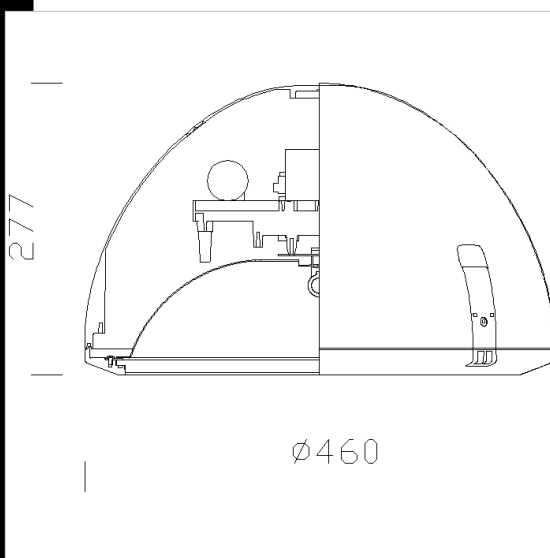




3174 Montecarlo with glass

Housing/Frame: in die-cast aluminium, with aluminium latches.
 Coating: grey epoxy cationic electrocoating, resistant to corrosive and saline environments. Second coating using sandblasted silver colour acrylic green resin, UV-stabilized.
 Standard supply: during maintenance the frame stays attached through an internal hinge. Standard knife switch.
 Double power version: the products come with remote control installation and power adaptor and can be ordered using sub code -3078. Products fitted with remote control installation only can be ordered using sub code -0078.
 Diffuser: flat glass.
 Reflector: pressed NON-POLLUTING LOUVRE, in thermoplastic material, followed by plating.
 Regulations: Produced according to applicable EN60598-1CEI 34-21 standards, degree of protection according to EN 60529 standards.



Download

- DXF 2D
- 3174.dxf
- 3DS
- disano_3174_montecarlo.3ds
- 3DM
- disano_3174_montecarlo.3dm
- Montaggi
- montecarlo_mont.dxf
- montecarlo_liberty_installazione.dxf
- montecarlo_luna_installazione.dxf

Code	Gear	Kg	Watt	Base	Lamps	Colour
326651-00	CNR-L	9,40	CDM-TS 150	Rx7s	13250lm-3000K-Ra 1b	SILVER/GRAPHITE
326652-00	CNR-L	9,40	SAP-TS 150	Rx7s	15000lm-2000K-Ra 4	SILVER/GRAPHITE
326650-00	CNR-L	9,87	JM-TS 150	Rx7s	12000lm-4000K-Ra 1b	SILVER/GRAPHITE

Accessories

