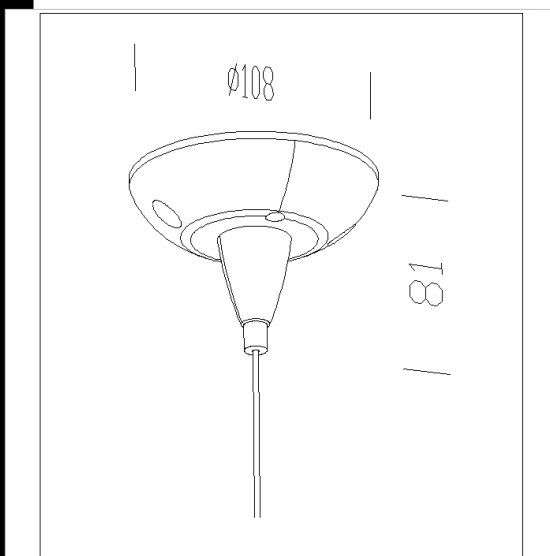


3171 Montecarlo - asymmetric

Housing/Frame: in die-cast aluminium, with aluminium latches.
 Coating: the standard liquid immersion coating consists of a first metal surface pre-treatment stage, a successive epoxy cataphoresis corrosion and salt resistant coating, and a final layer of bi-component acrylic liquid UV-stabilised coating.
 Standard supply: during maintenance the frame stays attached through an internal hinge. Standard knife switch.
 Double power version: the products come with remote control installation and power adaptor and can be ordered using sub code -3078. Products fitted with remote control installation only can be ordered using sub code -0078.
 Diffuser: tempered glass, 5 mm thick, thermal shock and impact resistant (UNI EN 12150-1/2001 tests).
 Reflector: hammered aluminium NON-POLLUTING LOUVRE.
 Regulations: Produced according to applicable EN60598-1CEI 34-21 standards, degree of protection according to EN 60529 standards.

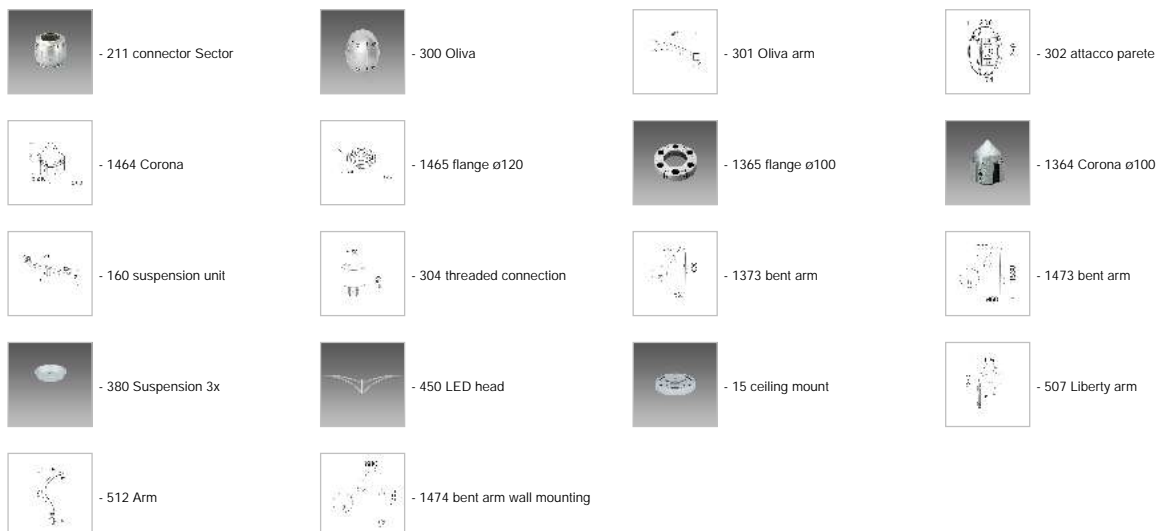


Download

- DXF 2D
- 3171.dxf
- 3DS
- disano_3171_montecarlo.3ds
- 3DM
- disano_3171_montecarlo.3dm
- Montaggi
- montecarlo_mont.dxf
- montecarlo_luna_installazione.dxf
- montecarlo_mont.dxf
- montecarlo_liberty_installazione.dxf
- 3170_1_2_4_montecarlo.pdf

Code	Gear	Kg	Lumen-K-CRI	WTot	Base	Colour
326623-00	CNR-L	9.00	JM-TS 150-12500lm-4200K-Ra 1b	166 W	Rx7s	GREY9007/GRAF
326620-00	CNR-L	8.35	SAP-TS 70-6800lm-2000K-Ra 4	82 W	Rx7s	GREY9007/GRAF
326621-00	CNR-L	9.00	SAP-TS 150-15000lm-2000K-Ra 4	166 W	Rx7s	GREY9007/GRAF
326622-00	CNR-L	8.35	JM-TS 70-6500lm-4200K-Ra 1b	91 W	Rx7s	GREY9007/GRAF

Accessories



The reported luminous flux is the flux emitted by the light source with a tolerance of $\pm 10\%$ compared to the indicated value. The W tot column indicates the total wattage absorbed by the system without exceeding 10% of the indicated