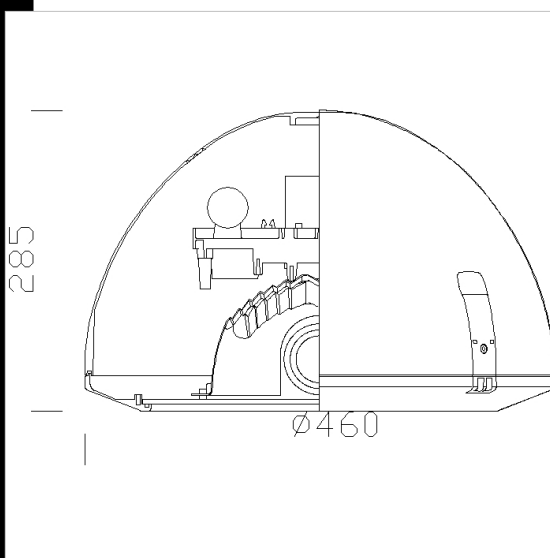


3170 Montecarlo

Housing/Frame: in die-cast aluminium, with aluminium latches.
 Coating: grey epoxy cationic electrocoating, resistant to corrosive and saline environments. Second coating using sandblasted silver colour acrylic green resin, UV-stabilized.
 Standard supply: during maintenance the frame stays attached through an internal hinge. Standard knife switch.
 Double power version: the products come with remote control installation and power adaptor and can be ordered using sub code -3078. Products fitted with remote control installation only can be ordered using sub code -0078.
 Diffuser: tempered glass, 5 mm thick, thermal shock and impact resistant (UNI EN 12150-1/2001 tests).
 Reflector: NON-POLLUTING LOUVRE in pressed 99.85 aluminium, anodically oxidized and polished.
 Regulations: Produced according to applicable EN60598-1CEI 34-21 standards, degree of protection according to EN 60529 standards.

Download
 DXF 2D
 - 3170.dxf
 Montaggi
 - 3170_1_2_4_montecarlo.pdf



Code	Gear	Kg	Watt	Base	Lamps	Colour
326612-00	CNR-L	8,76	CDO-TT 150	E40	13500lm-2800K-Ra 1b	SILVER/GRAPHITE
326611-00	CNR-L	10,15	SAP-T 250	E40	33000lm-2000 K-Ra 4	SILVER/GRAPHITE
326613-00	CNR-L	9,00	JM-T 150	E27	14000lm-4000K-Ra 1b	SILVER/GRAPHITE
326610-00	CNR-L	8,86	SAP-T 150	E40	17200lm-2000K-Ra 4	SILVER/GRAPHITE