



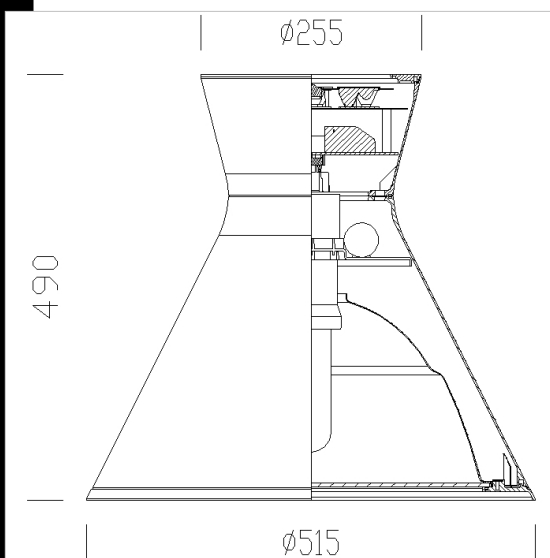
**Download**

- DXF 2D  
- 3166.dxf
- 3DS  
- disano\_3166\_iride.3ds
- 3DM  
- disano\_3166\_iride.3dm
- Montaggi  
- iride.dxf  
- iride.pdf



**3166 Iride dir/ind LED RGB**

Housing: die cast aluminium.  
 Upper frame in indirect light version: die cast aluminium, complete with tempered and milled glass, thickness 10 mm, withstands thermal shocks and impacts (UNI EN 12150-1/2001 tests).  
 Lower diffuser: tempered glass, thickness 5 mm, withstands thermal shocks and impacts (UNI EN 12150-1/2001 tests).  
 Painting: In several stages. epoxy cationic electrocoating, resistant to corrosive and saline environments, UV stabilising priming; lastly a rough finish with frosted silver.  
 Gear: Dedicated electronic device to protect the LED module.  
 Regulations: products complying with the current EN60598-1-2 standards.  
 Protection level: IP65 IK08, in accordance with EN60529.  
 Supplied complete with 4 RGB triple lens modules, P=3.3W, P=15W ballast with 350mA constant current flow, Master and IRE receiver. In the order, specify iride with slave. Use acc. 302 and 381 or 382 for wall mounting. Use acc. 380 for ceiling mounting.



Code	Gear	Kg	Watt	Base	Lamps	Colour
326570-00	CLD CNR-L	13,00	CDO-TT 150 + LED 3.3W RGB	E40	--	SANDBLASTED SILVER

**Accessori**

