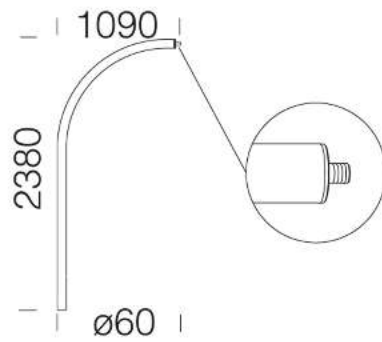


386 arm

Steel. To be used together with access. 383/384/385 for mono, dual or three lamp compositions.



Download

- 3DS  
- disano\_386.3ds
- 3DM  
- disano\_386.3dm

Code	Kg	WTot	Colour
326518-00	12,80	0 W	GREY9007

Prodotti



- 3165 Iride - direct/ indirect light



- 3160 Iride - direct light



- 3164 Iride - direct scattered



- 3162 Iride - direct light



- 3167 Iride - LED direct light



- 3166 Iride dir/ind LED RGB

The reported luminous flux is the flux emitted by the light source with a tolerance of  $\pm 10\%$  compared to the indicated value. The W tot column indicates the total wattage absorbed by the system without exceeding 10% of the indicated